

SRR35ZJ-S

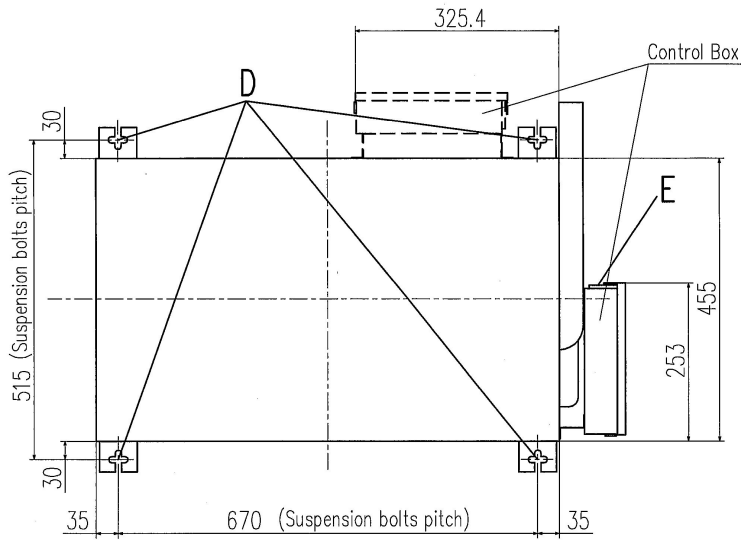
**Ceiling concealed - Indoor Unit**

The SRR35ZJ-S is a ceiling concealed RAC indoor unit with a nominal cooling capacity of 3.5 kW.

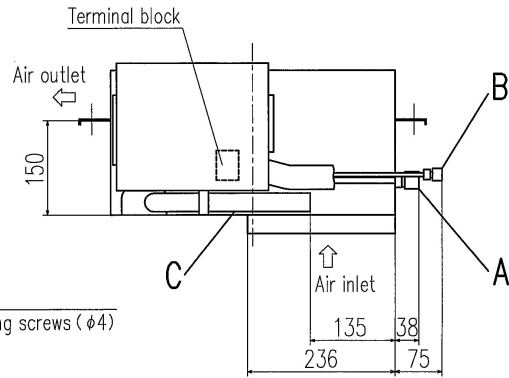
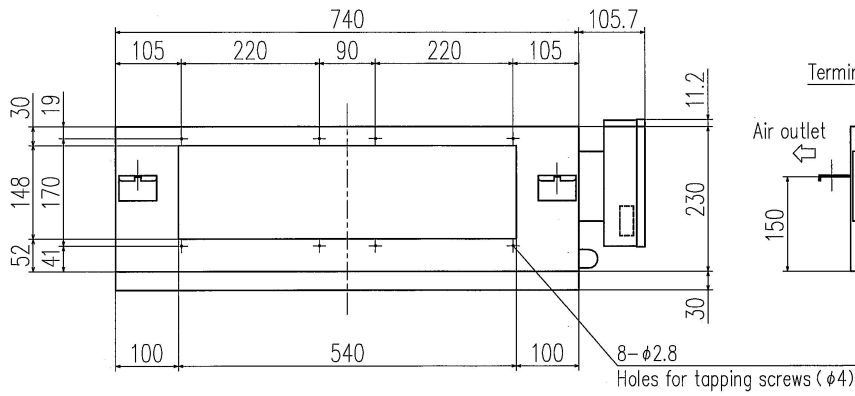
**Technical Specifications****General Data**

Nominal cooling capacity (min-max)	kW	3.5 (0.9 - 4.1)
Nominal heating capacity (min-max)	kW	4.2 (0.9 - 5.1)
Exterior Dimensions ( H x W x D)	m m	230 x 740 x 455
Net Weight	kg	22
Air Flow Cooling (Hi/Me/Lo)	m <sup>3</sup> /min	9.0 / 7.5 / 5.5
Air Flow Heating (Hi/Me/Lo)	m <sup>3</sup> /min	11.0 / 9.5 / 7.0
Sound Pressure Level Cooling (Hi/Me/Lo)	dB(A)	42 / 37 / 30
Sound Pressure Level Heating (Hi/Me/Lo)	dB(A)	43 / 40 / 32

Schematics



Symbol	Content		
	Model	SRR25ZJ-S, 35ZJ-S	SRR50ZJ-S, 60ZJ-S
A	Gas piping	φ9.52 (3/8") (Flare)	φ12.7 (1/2") (Flare)
B	Liquid piping	φ6.35 (1/4") (Flare)	
C	Drain piping	VP16 (O. D. 22)	
D	Suspension bolts	〈M8〉	
E	Power supply intake	〈φ35〉	



SRC35ZMX-S

### Ceiling concealed - Outdoor Unit

The SRC35ZMX-S is a RAC outdoor unit with a nominal cooling capacity of 3.5 kW.



## Technical Specifications

### General Data

Nominal cooling capacity (min-max)	kW	3.5 (0.9 - 4.1)
Nominal heating capacity (min-max)	kW	4.2 (0.9 - 5.1)
EER (Energy Label)		3.24
COP (Energy Label)		3.82
Exterior Dimensions (H x W x D)	m m	595 x 780(+62) x 290
Net Weight	kg	38
Sound Pressure Level (Cooling/Heating)	dB(A)	50 / 50
Energy class (cooling/heating)		A++/A+
SEER "Average climate"/(Energy label)		6.33
SCOP "Average climate"/(Energy label)		4.05

### Electrical Data

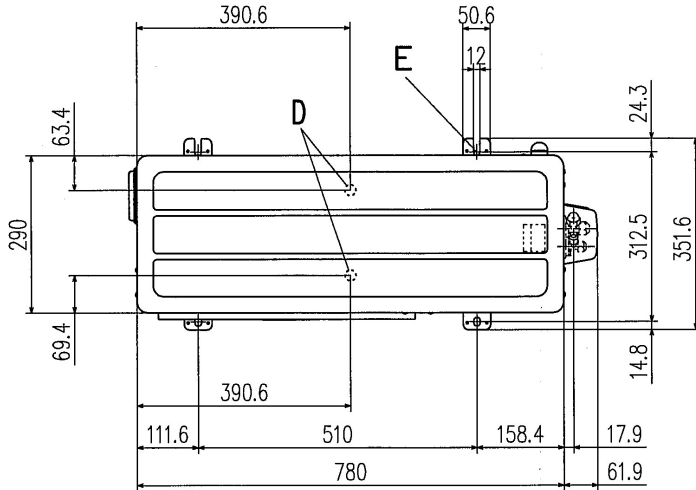
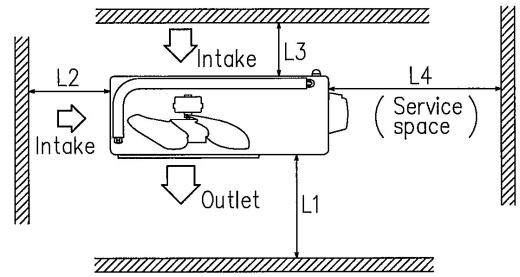
Pdesignc	kW	3.5
Pdesignh (@-10°C)	kW	3.3
Annual electricity consumption (cooling/heating)	kWh/a	194 / 1142
Power Source		1Phase, 220 - 240V, 50Hz
Inrush current (220/230/240v)	A	5.1 / 4.8 / 4.6
Max. running current	A	9
Power consumption (cooling/heating)	kW	1.08 / 1.10

### Installation

Refrigerant (GWP)		R410A (1975)
Designated heating season		Average
Ref. Piping Size (Liquid/Gas)	Ø mm	6.35 (1/4") / 9.52 (3/8")
Ref. Max Piping Length	m	Max. 15
Vertical Height differences / Outdoor is higher/lower	m	Max. 10 / Max. 10

Schematics

Symbol	Content	20·25·35	50
A	Service valve connection (gas side)	φ9.52 (3/8") (Flare)	φ12.7 (1/2") (Flare)
B	Service valve connection (liquid side)	φ6.35 (1/4") (Flare)	φ6.35 (1/4") (Flare)
C	Pipe/cable draw-out hole		
D	Drain discharge hole	φ20×2places	φ20×2places
E	Anchor bolt hole	M10×4places	M10×4places



Minimum installation space

Examples of installation	I	II	III	IV
Dimensions				
L1	Open	280	280	180
L2	100	75	Open	Open
L3	100	80	80	80
L4	250	Open	250	Open

