

Prestige

INVERTER V

9K
H09AK

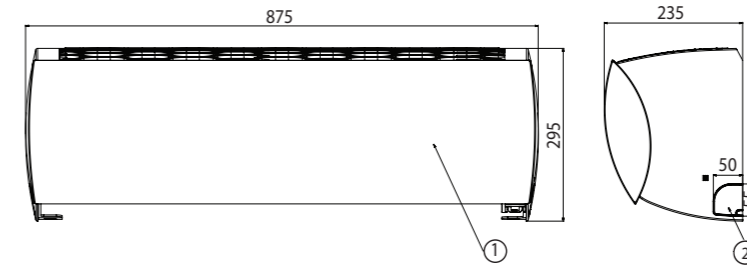
12K
H12AK



P 10 P 14 P 15 P 19 P 20 P 22 P 24 P 27 P 34

| Unit | | | | 9K | | 12K | | |
|----------------------------|-------------------|---------------------|---------------------|-------------------------|-------------------------|-------------------|--|--|
| Model Outdoor Unit | | | | H09AK ASUW096MU3 | | H12AK ASUW126MUF3 | | |
| Model Indoor Unit | | | | H09AK ASNW096MMS3 | | H12AK ASNW126MMS3 | | |
| Indoor Unit | | | | | | | | |
| Capacity | Cooling | Min | W | 300 | 300 | | | |
| | | Rated | W | 2500 | 3500 | | | |
| | | Max | W | 3800 | 4040 | | | |
| | Heating | Min | W | 300 | 300 | | | |
| | | Rated | W | 3200 | 4000 | | | |
| | | Max | W | 6600 | 6800 | | | |
| Heating -7°C | Rated | W | 4300 | 4600 | | | | |
| | Cooling | Rated | W | 463 | 780 | | | |
| | Heating +7°C | Rated | W | 570 | 755 | | | |
| Power Input | | | W/W | 5.40 | 4.49 | | | |
| | | | | 9.1 | 8.9 | | | |
| | | | | 2.5 | 3.5 | | | |
| EER | | | | 5.61 | 5.30 | | | |
| | | | | 5.2 | 5.1 | | | |
| | | | | 3.2 | 4.0 | | | |
| S.E.E.R. | | | | A+++ | A+++ | | | |
| | | | | A+++ | A+++ | | | |
| | | | | 96 | 138 | | | |
| P design C | | | | 862 | 1098 | | | |
| | | | | 17 | 17 | | | |
| | | | | 25 | 25 | | | |
| COP | Cooling | Sleep | dB(A) | 33 | 33 | | | |
| | | Low | dB(A) | 25 | 25 | | | |
| | | Medium | dB(A) | 33 | 33 | | | |
| | Heating | Low | dB(A) | 25 | 25 | | | |
| | | Medium | dB(A) | 33 | 33 | | | |
| | | High | dB(A) | 39 | 39 | | | |
| Sound Power | Cooling | Low | dB(A) | 25 | 25 | | | |
| | | Medium | dB(A) | 33 | 33 | | | |
| | | High | dB(A) | 39 | 39 | | | |
| Air Flow Rate | Cooling | Sleep | m ³ /min | 5.0 | 5.0 | | | |
| | | Low | m ³ /min | 8.5 | 8.5 | | | |
| | | Medium | m ³ /min | 11.5 | 11.5 | | | |
| | Heating | High | m ³ /min | 14.5 | 14.5 | | | |
| | | Max (Power) | m ³ /min | 15.5 | 15.5 | | | |
| | | Low | m ³ /min | 9.5 | 9.5 | | | |
| Dehumidification Rate | Cooling | Medium | m ³ /min | 12.5 | 12.5 | | | |
| | | High | m ³ /min | 16.5 | 16.5 | | | |
| | | Rated | l/h | 1.5 | 1.7 | | | |
| Running Current | Cooling | Rated | A | 2.3 | 3.5 | | | |
| | | Max | A | 5.5 | 6.0 | | | |
| | | Rated | A | 2.9 | 3.8 | | | |
| | Starting Current | Cooling | Max | A | 7.0 | 7.0 | | |
| | | | Rated | A | 2.3 | 3.5 | | |
| | | | Rated | A | 2.9 | 3.8 | | |
| Power Supply | | | Φ / V / Hz | 1 / 220-240 / 50 | 1 / 220-240 / 50 | | | |
| | | | | 13 | 13 | | | |
| | | | | 3*1.0 | 3*1.0 | | | |
| Circuit Breaker | | | | 4*1.0 (Including Earth) | 4*1.0 (Including Earth) | | | |
| | | | | | | | | |
| | | | | | | | | |
| Power Supply Cable | | | | 875*295*235 | 875*295*235 | | | |
| | | | | | | | | |
| | | | | | | | | |
| Power & Transmission Cable | | | | 11.5 | 11.5 | | | |
| | | | | | | | | |
| | | | | | | | | |
| Dimension | | | | 20 | 20 | | | |
| | | | | | | | | |
| | | | | | | | | |
| Net Weight | | | | | | | | |
| | | | | | | | | |
| | | | | | | | | |
| Fan Motor Output | | | | | | | | |
| | | | | | | | | |
| | | | | | | | | |
| Outdoor Unit | | | | | | | | |
| Operation Range | Cooling | Min~Max | °CDB | -10~48 | -10~48 | | | |
| | Heating | Min~Max | °CWB | -15~24 | -15~24 | | | |
| Sound Pressure | Cooling | High | dB(A) | 45 | 45 | | | |
| | Heating | High | dB(A) | 45 | 45 | | | |
| Sound Power | Cooling | High | dB(A) | 65 | 65 | | | |
| | Heating | High | dB(A) | 65 | 65 | | | |
| Air Flow Rate | Cooling | High | m ³ /min | 33 | 33 | | | |
| | Heating | High | m ³ /min | 33 | 33 | | | |
| Piping | Length (Odu/Idu) | Min | m | 3 | 3 | | | |
| | | Max | m | 20 | 20 | | | |
| | | Elevation (Odu/Idu) | m | 10 | 10 | | | |
| Piping Connection | Liquid | OD(Outside) | mm | 6.35 | 6.35 | | | |
| | | | inch | (1/4) | (1/4) | | | |
| | | | mm | 9.52 | 9.52 | | | |
| | Gas | OD(Outside) | mm | 9.52 | 9.52 | | | |
| | | | inch | (3/8) | (3/8) | | | |
| | | | mm | 21.5 | 21.5 | | | |
| Drain | OD(Outside) | mm | 21.5 | 21.5 | | | | |
| | | inch | 0.85 | 0.85 | | | | |
| Refrigerant | Type | | | R410A | R410A | | | |
| | Charge at 7.5m | | | 1,150 | 1,150 | | | |
| | Additional charge | | | 20 | 20 | | | |
| Fan Motor Output | | | | 45 | 45 | | | |
| | | | | | | | | |
| | | | | | | | | |
| Compressor Type | | | | Twin Rotary | Twin Rotary | | | |
| | | | | | | | | |
| | | | | | | | | |
| Net Weight | | | | 35 | 35 | | | |
| | | | | | | | | |
| Dimension | | | | 770*545*288 | 770*545*288 | | | |
| | | | | | | | | |

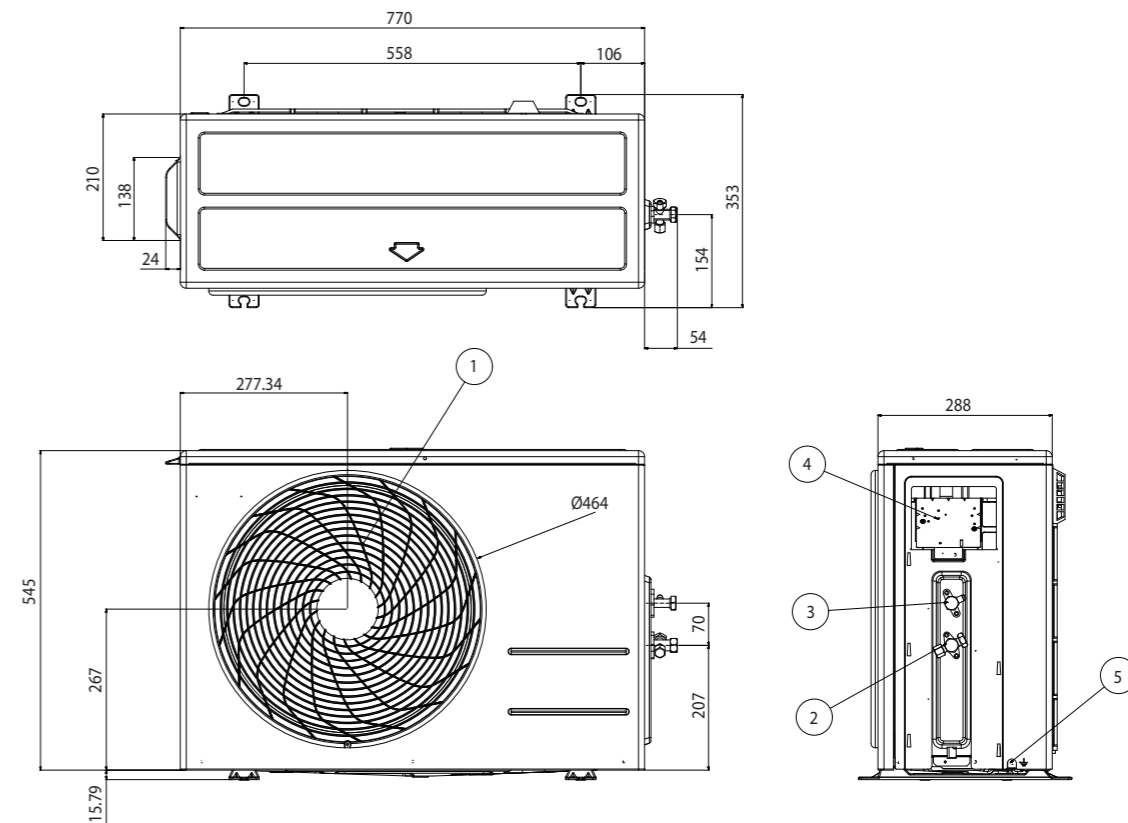
INDOOR UNIT - ASNW096MMS3 / ASNW126MMS3



(Unit: mm)

| Item No. | Part Name | Remark |
|----------|---------------|--------------------|
| 1 | Front Panel | |
| 2 | Knockout hole | For pipe and cable |

OUTDOOR UNIT - ASUW096MUF3 / ASUW126MUF3



(Unit: mm)

| Item No. | Part Name |
|----------|-----------------------------|
| 1 | Air Discharge Grille |
| 2 | Gas Pipe Connection Port |
| 3 | Liquid Pipe Connection Port |
| 4 | Control Box |
| 5 | Earth Screw |