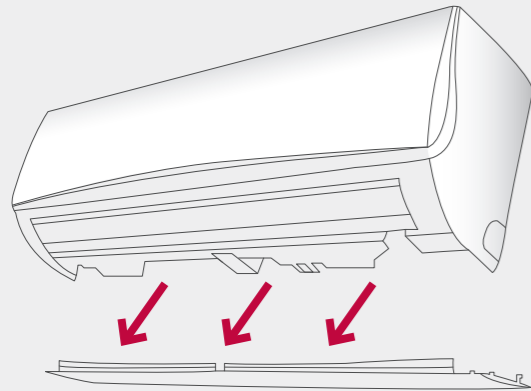


WALL MOUNTED UNIT DELUXE & STANDARD

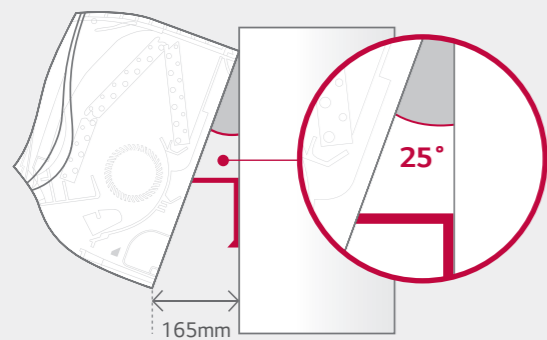
Detachable Bottom Cover



Along with Detachable Bottom Cover, it is unnecessary to disassemble units or additionally support units thanks to the detachable chassis and support. With LG's patented support, the installation can be completed by only one individual.

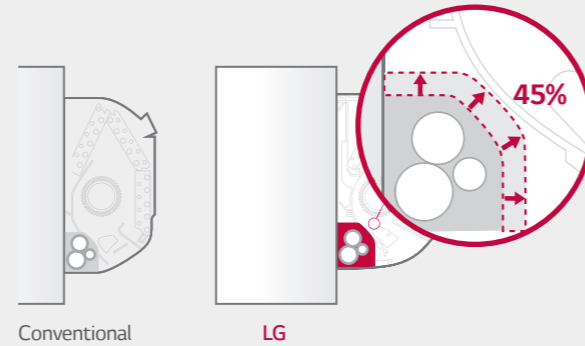
Installation Support Clip

A support clip creates adequate space between the wall and the unit for easier installation.



Wider Tubing Space

The tubing space is up to 45% wider than previous models for easier installation. The tubing space is wider than many products currently on the market.



Various Indoor Units

Capacity (kW)	1.5	2.1	2.6	3.5	4.2	5.3	7.0
Standard	MS05SQ NWO	MS07SQ NWO	MS09SQ NBO	MS12SQ NBO	MS15SQ NBO	MS18SQ NCO	MS24SQ NCO
Deluxe		MS07AQ NBO	MS09AQ NBO	MS12AQ NBO		MS18AQ NCO	MS24AQ NCO
ART COOL Mirror		MS07AW* NBO	MS09AW* NBO	MS12AW* NBO		MS18AW* NCO	MS24AW* NCO
ART COOL Gallery			MA09AH1 NF1	MA12AH1 NF1			

ART COOL Mirror Note: * Indicates Panel Color / Mirror (R), Silver (V), White (W)

Specification

INDOOR				MS05SQ NWO	MS07SQ NWO	MS09SQ NBO	MS12SQ NBO	MS15SQ NBO	MS18SQ NCO	MS24SQ NCO
Capacity	Cooling / Heating	Nom	kW	1.5 / 1.6	2.1 / 2.3	2.6 / 2.9	3.5 / 3.9	4.2 / 5.4	5.3 / 5.8	6.7 / 7.5
Power Input		Nom	W	20	20	20	20	20	40	60
Running Current		Nom	A	0.1	0.1	0.2	0.2	0.2	0.3	0.3
Power Supply			Ø / V / Hz	1 / 220-240 / 50	1 / 220-240 / 50	1 / 220-240 / 50	1 / 220-240 / 50	1 / 220-240 / 50	1 / 220-240 / 50	1 / 220-240 / 50
Air Flow Rate		High / Medium / Low	m³/min	8.1 / 6.9 / 6.3	8.1 / 6.9 / 6.3	7.0 / 6.5 / 6.0	9.5 / 9.0 / 8.5	10.5 / 9.0 / 7.0	16.2 / 14.2 / 12.3	20.4 / 17.0 / 13.2
Sound Pressure	Cooling	High / Medium / Low	dBA	36 / 30 / 27	36 / 30 / 27	34 / 31 / 27	39 / 36 / 31	43 / 39 / 34	37 / 33 / 28	42 / 39 / 36
Sound Power	Cooling	Max	dBA	57	57	55	55	55	57	62
Dehumidification Rate			l/h	0.9	0.9	1.1	1.2	1.2	1.9	2.6
Dimensions	Body	W x H x D	mm	756 x 270 x 190	756 x 270 x 190	895 x 289 x 215	895 x 289 x 215	895 x 289 x 215	1,030 x 325 x 255	1,030 x 325 x 255
Net Weight	Body		kg	7.2	7.2	9.0	9.0	9.0	13.0	13.0
Piping Connection	Liquid		mm (inch)	Ø6.35 (1/4)	Ø6.35 (1/4)	Ø6.35 (1/4)	Ø6.35 (1/4)	Ø6.35 (1/4)	Ø6.35 (1/4)	Ø6.35 (1/4)
	Gas		mm (inch)	Ø9.52 (3/8)	Ø9.52 (3/8)	Ø9.52 (3/8)	Ø9.52 (3/8)	Ø9.52 (3/8)	Ø12.7 (1/2)	Ø12.7 (1/2)

INDOOR				MS07AQ NBO	MS09AQ NBO	MS12AQ NBO	MS18AQ NCO	MS24AQ NCO
Capacity	Cooling / Heating	Nom	kW	2.1/2.3	2.6 / 2.9	3.5 / 3.9	5.3 / 5.8	6.7 / 7.5
Power Input		Nom	W	20	20	20	40	60
Running Current		Nom	A	0.1	0.2	0.2	0.3	0.3
Power Supply			Ø / V / Hz	1 / 220-240 / 50	1 / 220-240 / 50	1 / 220-240 / 50	1 / 220-240 / 50	1 / 220-240 / 50
Air Flow Rate		High / Medium / Low	m³/min	5.6 / 5.0 / 4.6	7.0 / 6.5 / 6.0	9.5 / 9.0 / 8.5	16.2 / 14.2 / 12.3	20.4 / 17.0 / 13.2
Sound Pressure	Cooling	High / Medium / Low	dBA	33 / 30 / 26	34 / 31 / 27	39 / 36 / 31	37 / 33 / 28	42 / 39 / 36
Sound Power	Cooling	Max	dBA	55	55	55	57	62
Dehumidification Rate			l/h	0.9	1.1	1.2	1.9	2.6
Dimensions	Body	W x H x D	mm	895 x 289 x 210	895 x 289 x 210	895 x 289 x 210	1,030 x 325 x 250	1,030 x 325 x 250
Net Weight	Body		kg	9.5	9.5	9.5	13.8	13.8
Piping Connection	Liquid		mm (inch)	Ø6.35 (1/4)	Ø6.35 (1/4)	Ø6.35 (1/4)	Ø6.35 (1/4)	Ø6.35 (1/4)
	Gas		mm (inch)	Ø9.52 (3/8)	Ø9.52 (3/8)	Ø9.52 (3/8)	Ø12.7 (1/2)	Ø12.7 (1/2)

INDOOR				MS07AW* NBO	MS09AW* NBO	MS12AW* NBO	MS18AW* NCO	MS24AW* NCO
Capacity	Cooling / Heating	Nom	kW	2.1/2.3	2.6 / 2.9	3.5 / 3.9	5.3 / 5.8	6.7 / 7.5
Power Input		Nom	W	20	20	20	40	60
Running Current		Nom	A	0.1	0.2	0.2	0.3	0.3
Power Supply			Ø / V / Hz	1 / 220-240 / 50	1 / 220-240 / 50	1 / 220-240 / 50	1 / 220-240 / 50	1 / 220-240 / 50
Air Flow Rate		High / Medium / Low	m³/min	5.6 / 5.0 / 4.6	7.0 / 6.5 / 6.0	9.5 / 9.0 / 8.5	16.2 / 14.2 / 12.3	20.4 / 17.0 / 13.2
Sound Pressure	Cooling	High / Medium / Low	dBA	33 / 30 / 26	34 / 31 / 27	39 / 36 / 31	37 / 33 / 28	42 / 39 / 36
Sound Power	Cooling	Max	dBA	55	55	55	57	62
Dehumidification Rate			l/h	0.9	1.1	1.2	1.9	2.6
Dimensions	Body	W x H x D	mm	895 x 289 x 205	895 x 289 x 205	895 x 289 x 205	1,030 x 325 x 245	1,030 x 325 x 245
Net Weight	Body		kg	10.2	10.2	10.2	14.2	14.2
Piping Connection	Liquid		mm (inch)	Ø6.35 (1/4)	Ø6.35 (1/4)	Ø6.35 (1/4)	Ø6.35 (1/4)	Ø6.35 (1/4)
	Gas		mm (inch)	Ø9.52 (3/8)	Ø9.52 (3/8)	Ø9.52 (3/8)	Ø12.7 (1/2)	Ø12.7 (1/2)

INDOOR				MA09AH1 NF1	MA12AH1 NF1
Capacity	Cooling / Heating	Nom	kW	2.6 / 2.9	3.5 / 3.9
Power Input		Nom	W	40	40
Running Current		Nom	A	0.1	0.1
Power Supply			Ø / V / Hz	1 / 220-240 / 50	1 / 220-240 / 50
Air Flow Rate		High / Medium / Low	m³/min	7.7 / 5.9 / 4.4	8.9 / 7.3 / 5.6
Sound Pressure	Cooling	High / Medium / Low	dBA	38 / 32 / 27	44 / 38 / 32
Sound Power	Cooling	Max	dBA	52	54
Dehumidification Rate			l/h	1.2	1.4
Dimensions	Body	W x H x D	mm	600 x 600 x 145	600 x 600 x 145
Net Weight	Body		kg	15.0	15.0
Piping Connection	Liquid		mm (inch)	Ø6.35 (1/4)	Ø6.35 (1/4)
	Gas		mm (inch)	Ø9.52 (3/8)	Ø9.52 (3/8)

Note: 1. Capacities are based on the following conditions:
 Cooling - Indoor Temperature 27°C (80.6°F) DB / 19°C (66.2°F) WB - Outdoor Temperature 35°C (95°F) DB / 24°C (75.2°F) WB
 Heating - Indoor Temperature 20°C (68°F) DB / 15°C (59°F) WB - Outdoor Temperature 7°C (44.6°F) DB / 6°C (42.8°F) WB
 Piping Length - Interconnecting Piping Length 7.5m - Level Difference of Zero
 2. Definition of Power Input Nominal conditions - Performance tested under EN14511
 3. Due to our policy of innovation some specifications may be changed without notification 4. This product contains fluorinated greenhouse gases (R410A)