

NEW

VENTO Expert A50-1 Pro

Air capacity – up to 50 m³/h

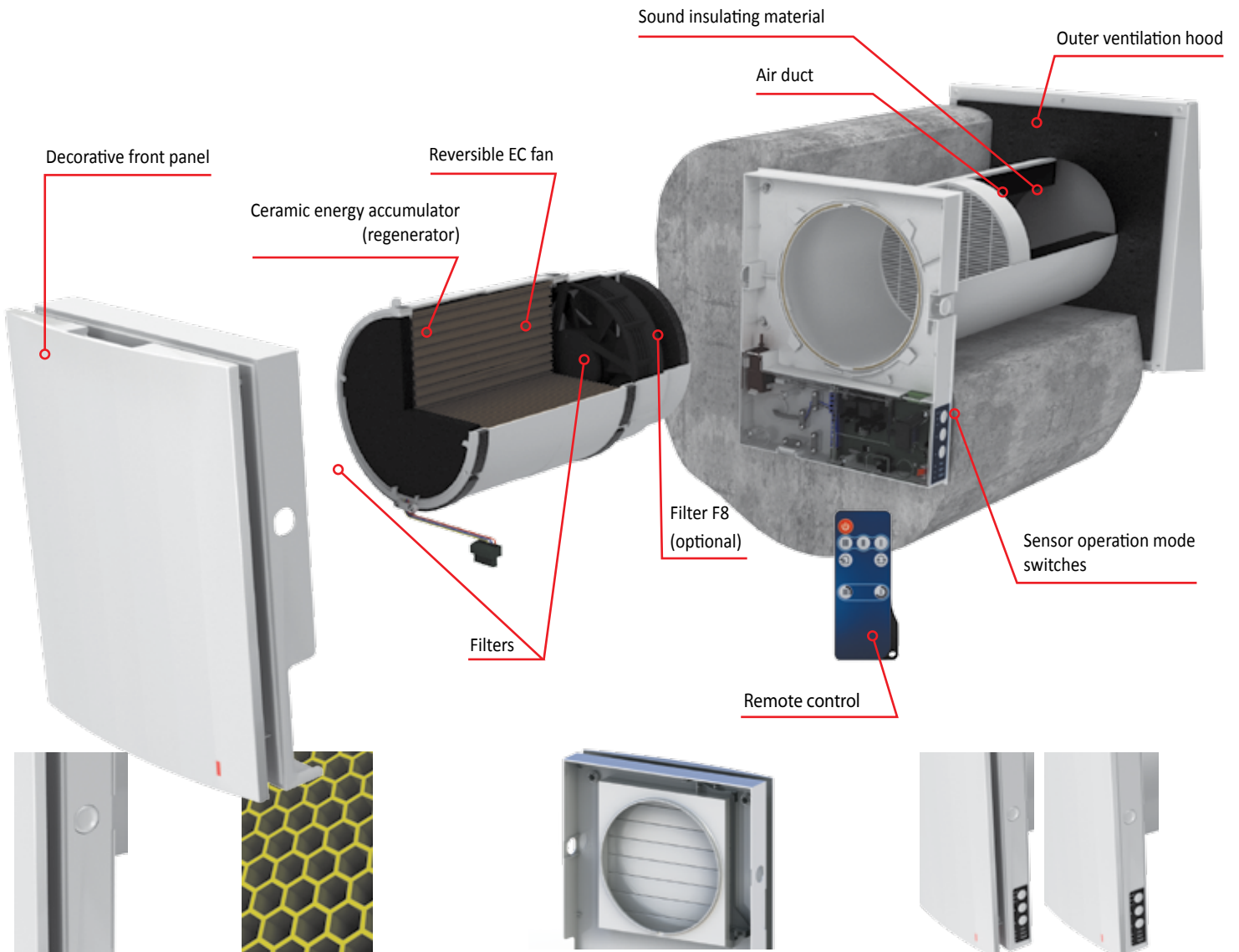
Heat RECOVERY EFFICIENCY – up to 97 %



Use

- Arrangement of efficient energy-saving supply and exhaust single-room ventilation in flats, houses, cottages, social and commercial premises.
- Reducing heat losses caused by ventilation due to heat recovery.
- Humidity balance and regulated air exchange create individually controlled microclimate.
- Coordinated network based on several integrated single-room ventilation units with central control.

Design



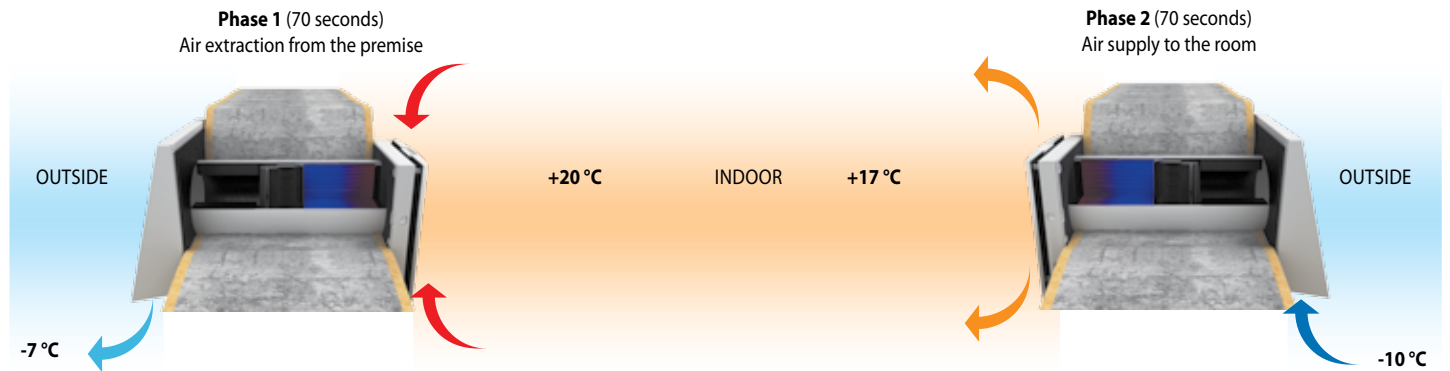
Easy maintenance. Indoor unit is opened by pressing the latches on both sides.

One of the best regeneration efficiency on the market due to innovative hexagonal structure of the heat exchanger cells.

Integrated automatic air shutters prevent air back drafting.

The specially designed front panel can be closed manually to ensure 100 % air tightness and protect against wind impact.

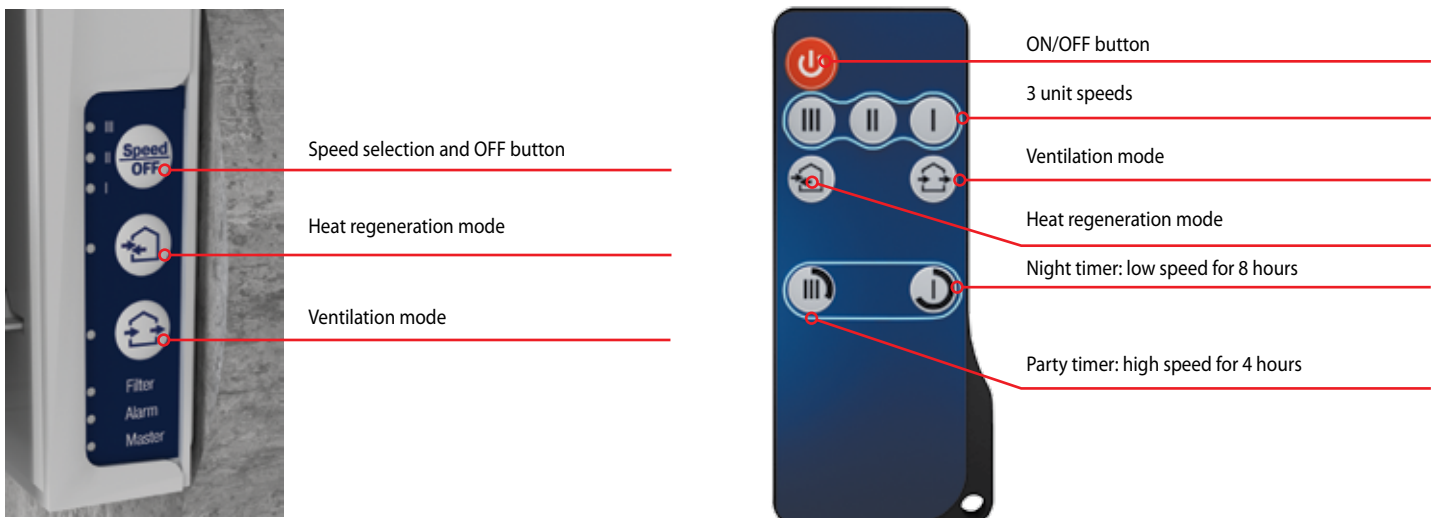
Unit operating logic in winter period



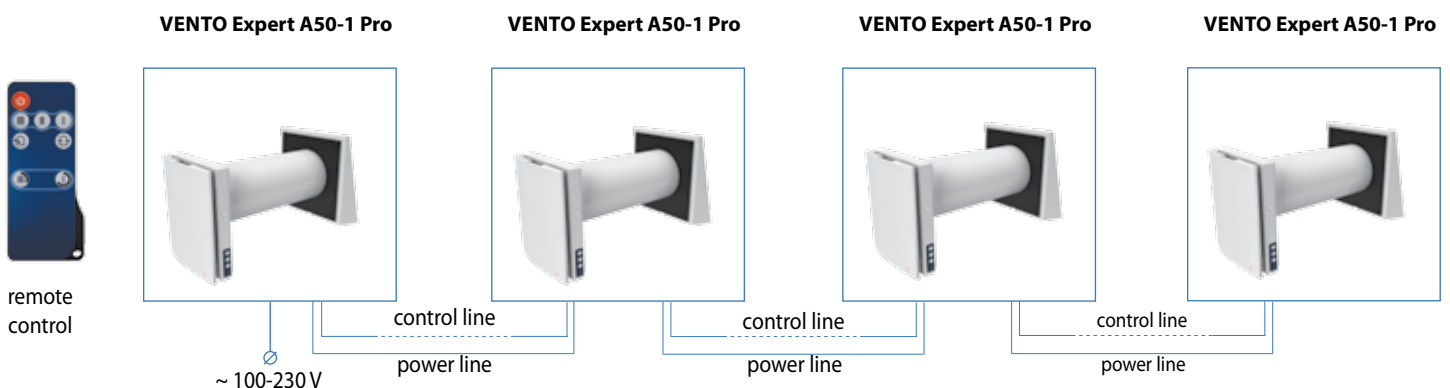
- Warm stale air is extracted from the premise, flows through the ceramic regenerator and transfers its heat energy and moisture to it.
- As the ceramic regenerator gets warmed up, the unit switches to the supply mode.
- Clean cold intake air flows through the regenerator and absorbs accumulated heat and humidity.
- When the ceramic regenerator is cooled down, the unit switches to the extract air mode.

Control

- Control of the unit operation mode is performed by means of sensor control panel located on the unit casing or a remote controller.



The unit is equipped with a humidity sensor for indoor humidity control. Connection of the units in series ensures balanced ventilation. First unit in the chain becomes the master one. Ventilation mode of the entire system can be controlled by means of the control panel on the master unit. A signal from the remote control is received by the master unit only.

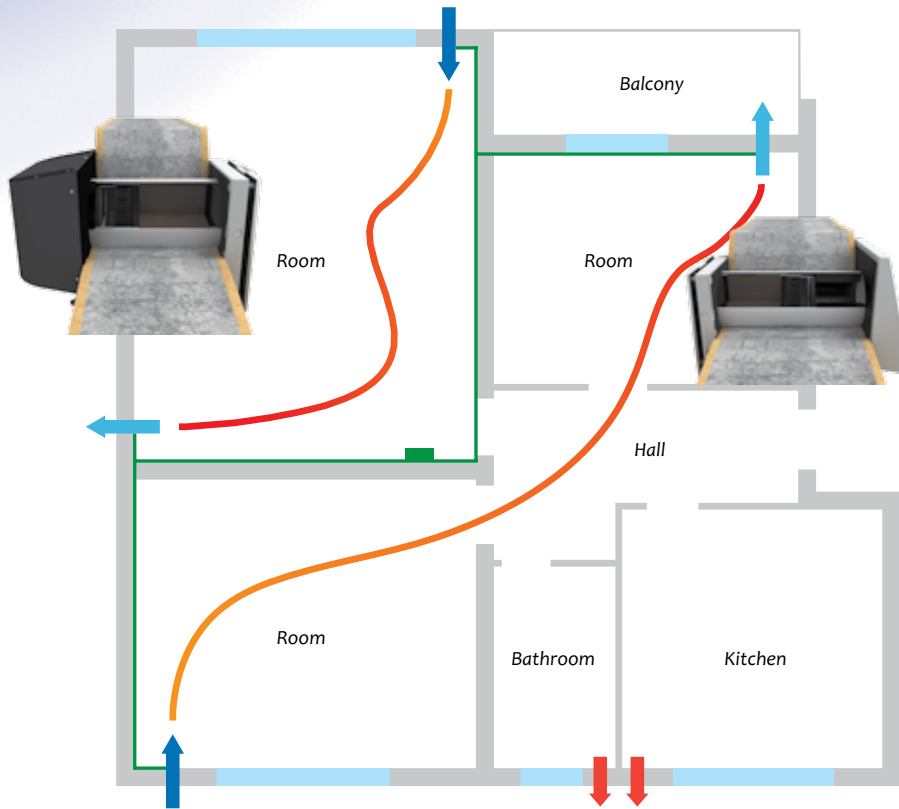


HEAT RECOVERY SINGLE-ROOM UNITS

■ Mounting

The unit is designed for through-the-wall installation inside a prepared hole in an outer wall of the building. The best ventilation solution is pairwise installation of reverse phase connected units. Some units ensure supply of fresh air to the room and the other units extract air from the premise. This way the most efficient balanced ventilation is arranged.

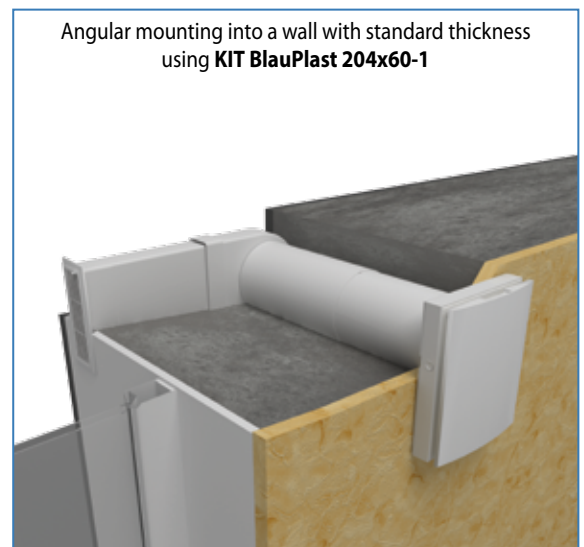
In case of brand new construction, units are mounted in two stages:
 1. Pre-installation at the stage of the indoor finishing and outer decorative wall finishing. It includes installation of an air duct, an outer ventilation hood and cable installation;
 2. Final mounting before commissioning of a house. It includes installation of a regenerator with a fan and filters and mounting and wiring of an indoor unit with a controller and shutters.



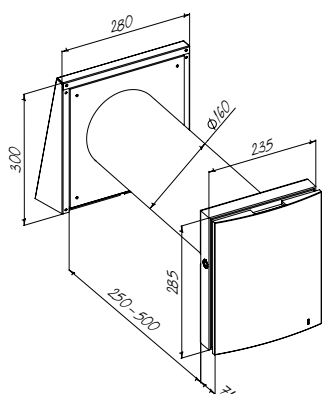
■ Technical data

Parameters	VENTO EXPERT A50-1 Pro		
	1	2	3
Speed	1	2	3
Voltage / 50-60 Hz [V]	100-230		
Power [W]	3.61	4.15	5.20
Current [A]	0.025	0.030	0.039
RPM [min ⁻¹]	800	1300	1900
Air capacity in airing mode [m ³ /h]	15	30	50
Air capacity in heat regeneration mode [m ³ /h]	7.5	15	25
Filter	G3 (F8 PM2.5 > 75 %)*		
Temperature of transported air [°C]	-30...+50		
Noise level @ 1 m [dB(A)]	20	27	30
Noise level @ 3 m [dB(A)]	11	18	21
Outdoor sound pressure attenuation [dB(A)] in accordance with DIN EN 20140	42		
Regeneration efficiency [%] in accordance with DIBt LÜ-A 20	97	90	82
SEC Class	A		
Ingress Protection Rating	IP24		

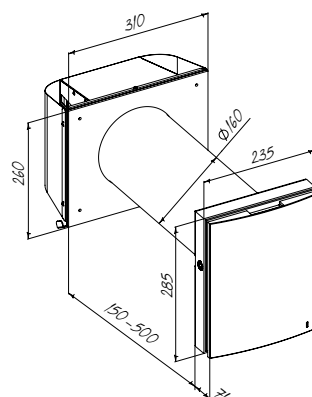
* Option



Overall dimensions



**VENTO Expert
A50-1 Pro**



**VENTO Expert
A50-1 S Pro**

Accessories

Accessory name	Description
Pre-installation Kit VENTO Expert A50-1 Pro	Includes: • An Air duct; • An AH 160 outer ventilation hood; • A plastic foam plug.
Pre-installation Kit VENTO Expert A50-1 S Pro	Includes: • An air duct; • AH-S 160 outer ventilation hood; • A plastic foam plug.
Completion Kit VENTO Expert A50-1	Includes: • An internal unit with a heat regenerator, a fan and G3 filters; • An indoor unit with a controller and shutters; • A remote control.
FP VENTO Expert A50 G3	Includes: • G3 filters, 2 pcs.
FP VENTO Expert A50 F8	Filtration rate PM2.5 > 75 % F8 filter reduces airflow of the unit down to 40 m ³ /h.
Remote control FB-VENTO Expert	Remote control unit
KIT BlauPlast white 160 / KIT BlauPlast chrome 160	Angular mounting kit for wall with standard thickness