

Flexible air distribution system

FLX-REKU / FLX-REKU-OVAL

The manufacturer reserves the right to amend product dimensions and technical data due to their constant improvement.

Flexible air distribution system FLX-REKU

TECHNICAL INFORMAT

About the System

The FLX-REKU system consists of ventilation ducts, plenum boxes, dampers and other components that make for a full installation which may be connected to the recuperator. These components are used whenever flexibility and durability is important - owing to their high diametral stiffness, the ducts may be covered with concrete.

Dimensions

The system uses ducts with outer diameter 63, 75 and 90mm and inner diameter 51, 63 and 75 mm. All connector pieces are compatible with the external dimensions of the duct. System FLX-REKU-OVAL bazuje na przewodach o zewnętrznym wymiarze 132x52. Wszelkie elementy złączne dostosowane są do wymiaru zewnętrznego przewodu.

Installation Guide

Ducts are fitted into metal connectors and dampers made with an internal rollover. It is used as a latch for the corrugated duct surface which directly touches the washer at the end to ensure system tightness. Przewody FLX-REKU-OVAL wsuwane są do przyłączy znajdujących się w puszkach rozprężnych.

Testing Air Tightness

The FLX-REKU system guarantee tightness class B acc. PN EN 12237 as standard.

It is possible to increase the tightness class C through the use of additional gaskets.

For class B does not need to use any additional gaskets.

For class C, use EPDM gasket symbol FLX-CVT or FLX-USC. System FLX-REKU-OVAL standardowo spełnia klasę szczelności B wg. PN-EN 12237.

Benefits of Use

Owing to the small size and proper construction, FLX ducts may be installed on roofs, walls and floors. They may be covered with wet and dry plaster finish. The use of highly durable materials, resistant to mechanical damage, allows to place the installation under concrete leveling or in roof ceilings. Flat plenum boxes do not take up a lot of space, which means it is not required to make special structural components for floors or ceilings. antibacterial coating used in the FLX-HDPE-A ducts uses silver oxide base. Antibacterial and fungicidal properties of the ducts are confirmed by the technical attestation.

Dzięki niewielkim rozmiarom i właściwej konstrukcji przewody FLX-REKU-OVAL mogą być montowane zarówno na sufitach jak i na ścianach i podłogach. Można chować je pod suchymi czy mokrymi tynkami. Zastosowanie materiałów o wysokiej trwałości i wytrzymałości mechanicznej pozwala na zalewanie instalacji w stropach czy wylewkach. Płaskie skrzynki rozprężne nie zabierają wiele miejsca, przez co nie ma konieczności wykonywania specjalnych elementów zabudowy ścian czy sufitów.

Labelling

Wyroby firmy ALNOR oznaczane są znakiem budowlanym, oraz kodem towaru zgodnym ze specyfikacją techniczną zawartą w niniejszym katalogu.

Take-offs

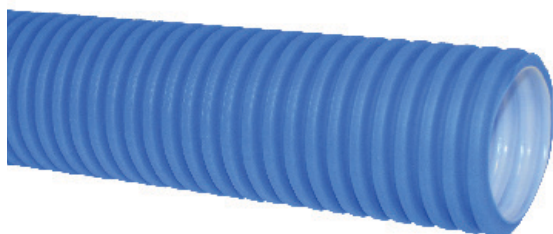
If you change the take-off diameter of the plenum to the SPIRO duct for other than those specified in technical catalogue to the code should add:

- A - 100mm
- B - 125mm
- C - 150mm
- D - 160mm
- E - 200mm
- G - 250mm

e.g. FLX-PRO-75-2-A

Flexible ducts

FLX-HDPE/FLX-HDPE-A



Description

Flexible ducts FLX-HDPE and FLX-HDPE-A are used to distribute air. Comparatively small diameters allow to hide the installation in ceilings, screeding, or suspended ceiling. Moreover, the FLX-HDPE-A-75 duct interior has an antistatic, antibacterial and antimold coating which use silver oxide ions as a base.

Flexible ducts FLX-HDPE and FLX-HDPE-A are press fit with the rest of the installation components. Washers at the connection points guarantee a good system seal.

Flexible ducts FLX-HDPE and FLX-HDPE-A are made of high-impact polyethylene. This results in very high mechanical resistance of the entire system.

Duct interior surface is smooth, which leads to low pressure losses in the installation.

Ducts are wound in 50 mm rings in following dimensions:

FLX-HDPE-63/FLX-HDPE-A-63: 1200cm x 40cm

FLX-HDPE-75/FLX-HDPE-A-75: 1100cm x 40cm

FLX-HDPE-90/FLX-HDPE-A-90: 1400cm x 50cm

Example

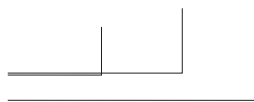
Product code

FLX - HDPE - 75

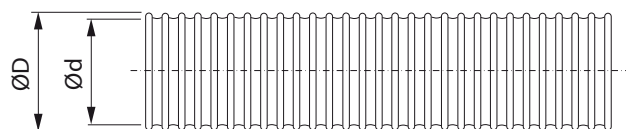
type

material

diameter



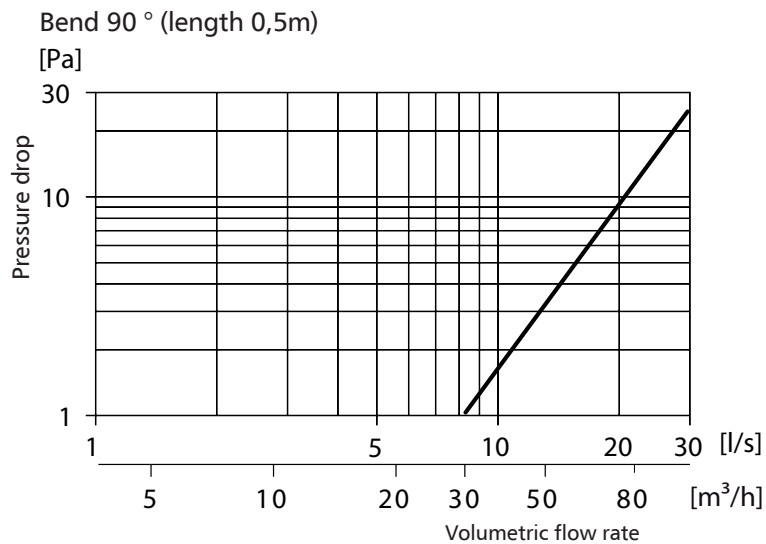
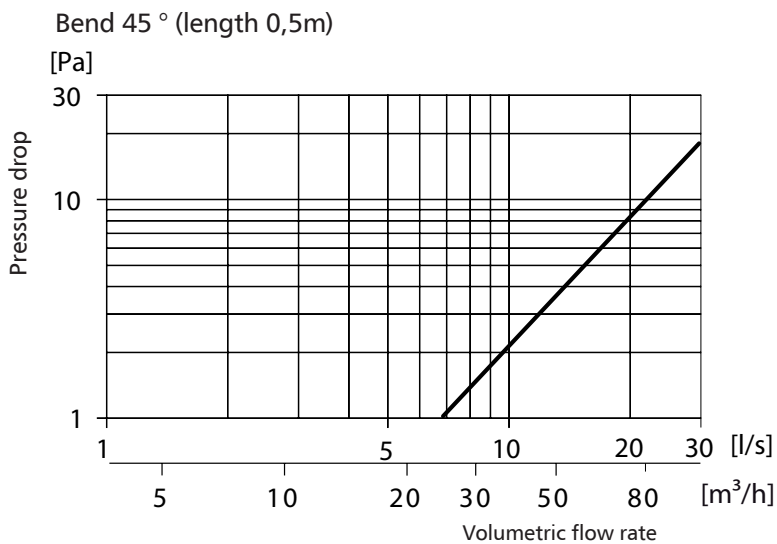
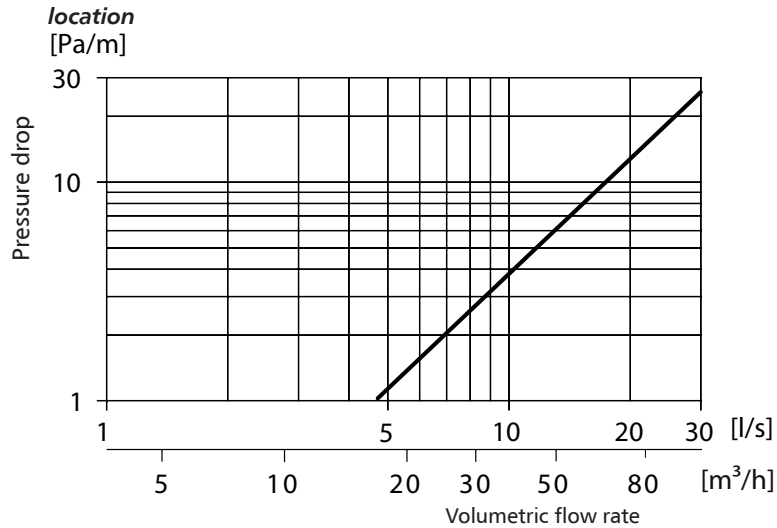
Dimensions



code	ØD nom [mm]	Ød [mm]	weight [kg/mb]	
FLX-HDPE-63	63	51	0,26	
FLX-HDPE-A-63	63	51	0,26	
FLX-HDPE-75	75	63	0,29	0,31
FLX-HDPE-A-75	75	63	0,29	0,31
FLX-HDPE-90	90	75	0,33	0,42
FLX-HDPE-A-90	90	75	0,33	0,42

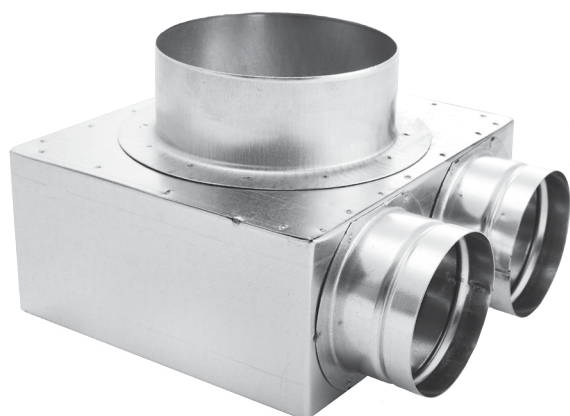
Technical Data

Selection charts for 75mm of diameters



Plenum boxes FLX-PRO...

[Download Wentyle](#)
[Download AlnorCAM](#)
[Buy via B2B](#)



Description

FLX-PRO plenum boxes are connecting pieces for FLX-HDPE and FLX-HDPE-A flexible ducts, which form a distribution system for mechanical installations, including recuperator systems. Due to small size, they do not require a lot of space or special installation.

This allows to save more usable interior space.

FLX-PRO plenum boxes are made of galvanized steel.

On special request, it is possible to make the plenum boxes using stainless steel.

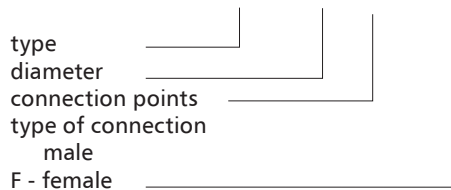
It is possible to order insulated FLX-PRI plenum boxes. Plenum boxes are inside insulated with technical insulation with thickness of 9mm. Weldings are made outside the plenum boxes. To preserve the tightness class C it is recommended to use gasket FLX-USZ or FLX-USC.

Note:

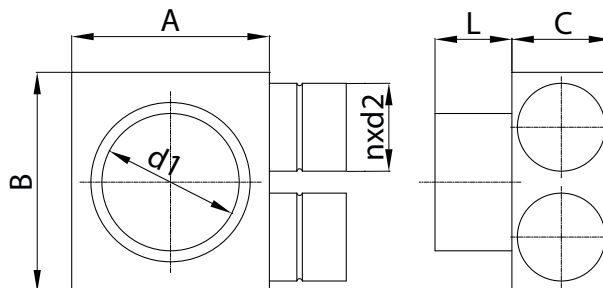
Standard diameter d_1 is made as nippel. On special request diameter d_1 can be made as female dimension. For this purpose it must be added "F" at the end to the index.

Example

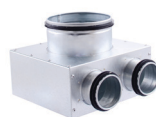
Product code **FLX-PRO - 75 - 2**



Dimensions



code	A [mm]	B [mm]	C [mm]	L [mm]	d1 [mm]	n [szt.]	d2 [mm]
FLX-PRO-63-1	180	180	75	60	80	1	63
FLX-PRO-63-2	180	180	75	60	125	2	63
FLX-PRO-63-3	180	270	75	60	125	3	63
FLX-PRO-75-1	180	200	90	60	80	1	75
FLX-PRO-75-2	180	200	90	60	125	2	75
FLX-PRO-75-3	180	300	90	60	125	3	75
FLX-PRO-90-1	200	240	110	60	100	1	90
FLX-PRO-90-2	200	240	110	60	125	2	90
FLX-PRO-90-3	200	360	110	60	125	3	90



Version of plenum box FLX-PLO-.... (ensures tightness class C without additional sealing)

Take-off 63 mm with gasket EPDM matches FLX-HDPE-75 (only system 75)

male connector for Spiral duct- from 125 to 250 -also with gasket EPDM

Plenum boxes FLX-PRO-L...



Description

FLX-PRO-L plenum boxes are connecting pieces for FLX-HDPE and FLX-HDPE-A flexible ducts, which form a distribution system for mechanical installations, including recuperator systems. Due to small size, they do not require a lot of space or special installation.

This allows to save more usable interior space.

FLX-PRO-L plenum boxes are made of galvanized steel.

On special request, it is possible to make the plenum boxes using stainless steel.

It is possible to order insulated FLX-PRI-L plenum boxes. Plenum boxes are inside insulated with technical insulation with thickness of 9mm. Weldings are made outside the plenum boxes. To preserve the tightness class C it is recommended to use gasket FLX-USZ or FLX-USC.

Note:

Standard diameter d_1 is made as nippel. On special request diameter d_1 can be made as female dimension. For this purpose it must be aded "F" at the end to the index.

Example

Product code **FLX-PRO-L - 75 - 2**

type

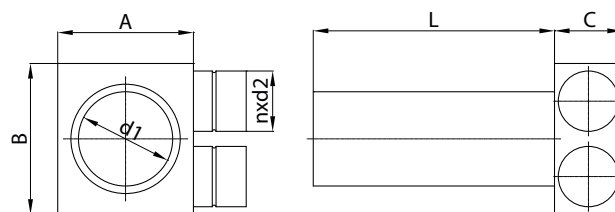
diameter

connection points

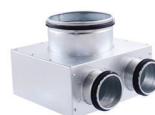
male

F - female

Dimensions



code	A [mm]	B [mm]	C [mm]	L [mm]	d1 [mm]	n [szt.]	d2 [mm]
FLX-PRO-L-63-1	180	180	75	320	80	1	63
FLX-PRO-L-63-2	180	180	75	320	125	2	63
FLX-PRO-L-63-3	180	270	75	320	125	3	63
FLX-PRO-L-75-1	180	200	90	320	80	1	75
FLX-PRO-L-75-2	180	200	90	320	125	2	75
FLX-PRO-L-75-3	180	300	90	320	125	3	75
FLX-PRO-L-90-1	200	240	110	320	100	1	90
FLX-PRO-L-90-2	200	240	110	320	125	2	90
FLX-PRO-L-90-3	200	360	110	320	125	3	90



Version of plenum box FLX-PLO-.... (ensures tightness class C without additional sealing)

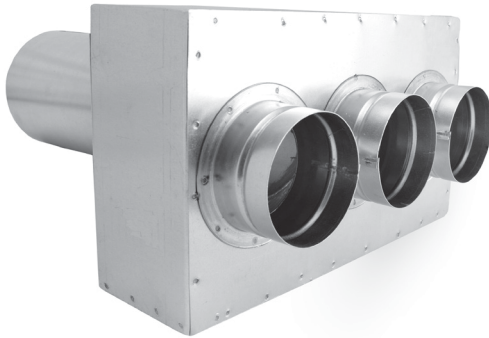
Take-off 63 mm with gasket EPDM matches FLX-HDPE-75 (only system 75)

male connector for Spiral duct - from 125 to 250 -also with gasket EPDM

Plenum boxes

FLX-PRO-PL...

[Download Wentyle](#)
[Download AlnorCAM](#)
[Buy via B2B](#)



Description

FLX-PRO-PL plenum boxes are connecting pieces for FLX-HDPE and FLX-HDPE-A flexible ducts, which form a distribution system for mechanical installations, including recuperator systems.

Due to small size, they do not require a lot of space or special installation. This allows to save more usable interior space. FLX-PRO-PL plenum boxes are made of galvanized steel.

On special request, it is possible to make the plenum boxes using stainless steel.

It is possible to order insulated FLX-PRI-PL plenum boxes. Plenum boxes are inside insulated with technical insulation with thickness of 9mm. Weldings are made outside the plenum boxes.

To preserve the tightness class C it is recommended to use gasket FLX-USZ or FLX-USC.

Note:

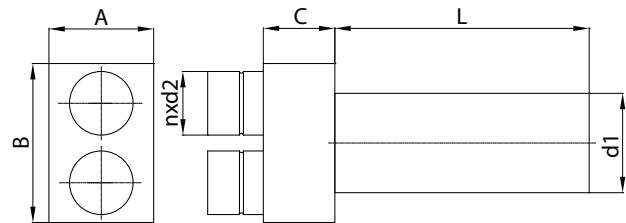
Standard diameter d_1 is made as nippel. On special request diameter d_1 can be made as female dimension. For this purpose it must be aded "F" at the end to the index.

Example

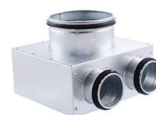
Product code **FLX-PRO-PL - 75 - 7-7**



Dimensions



code	A [mm]	B [mm]	C [mm]	L [mm]	d1 [mm]	n [szt.]	d2 [mm]
FLX-PRO-PL-63-2	160	180	75	320	125	2	63
FLX-PRO-PL-63-3	160	270	75	320	125	3	63
FLX-PRO-PL-75-2	180	200	90	320	125	2	75
FLX-PRO-PL-75-3	180	300	90	320	125	3	75
FLX-PRO-PL-90-2	200	240	110	320	125	2	90
FLX-PRO-PL-90-3	200	360	110	320	125	3	90

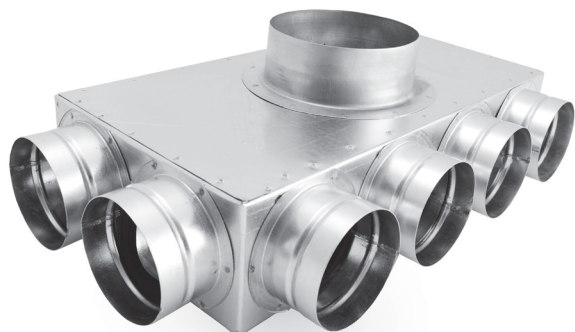


Version of plenum box FLX-PLO-.... (ensures tightness class C without additional sealing)

Take-off 63 mm with gasket EPDM matches FLX-HDPE-75 (only system 75)

male connector for Spiral duct- from 125 to 250 -also with gasket EPDM

Plenum boxes FLX-PRO...



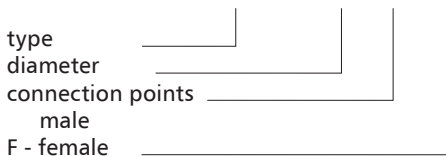
Description

FLX-PRO plenum boxes are connecting pieces for FLX-HDPE and FLX-HDPE-A flexible ducts, which form a distribution system for mechanical installations, including recuperator systems. Due to small size, they do not require a lot of space or special installation. This allows to save more usable interior space. FLX-PRO plenum boxes are made of galvanized steel. On special request, it is possible to make the plenum boxes using stainless steel. It is possible to order insulated FLX-PRI plenum boxes. Plenum boxes are inside insulated with technical insulation with thickness of 9mm. Weldings are made outside the plenum boxes. To preserve the tightness class C it is recommended to use gasket FLX-USZ or FLX-USC.

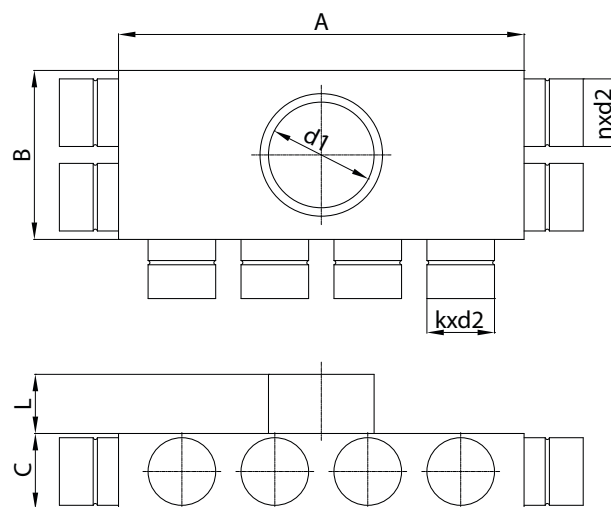
Note:
Standard diameter d_1 is made as nippel. On special request diameter d_1 can be made as female dimension. For this purpose it must be added "F" at the end to the index.

Example

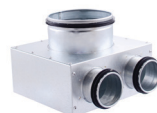
Product code **FLX-PRO - 75 - 2-4-2**



Dimensions



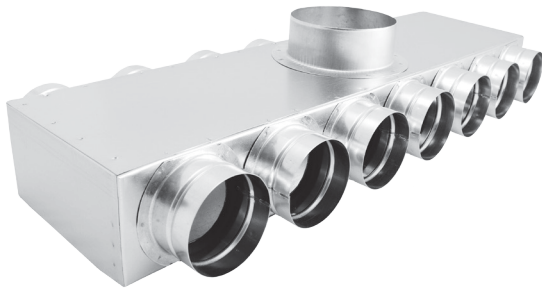
code	A [mm]	B [mm]	C [mm]	L [mm]	d1 [mm]	n [szt]	k [szt]	d2 [mm]
FLX-PRO-63-2-4-2	360	180	75	60	160	4	4	63
FLX-PRO-63-3-6-3	540	270	75	60	200	6	6	63
FLX-PRO-75-2-4-2	400	200	90	60	160	4	4	75
FLX-PRO-75-3-6-3	600	300	90	60	200	6	6	75
FLX-PRO-90-2-4-2	480	240	110	60	160	4	4	90
FLX-PRO-90-3-6-3	720	360	110	60	200	6	6	90



Version of plenum box FLX-PRO-.... (ensures tightness class C without additional sealing)
Take-off 63 mm with gasket EPDM matches FLX-HDPE-75 (only system 75)
male connector for Spiral duct- from 125 to 250 -also with gasket EPDM

Plenum boxes FLX-PRO...

[Download Wentyle](#)
[Download AlnorCAM](#)
[Buy via B2B](#)



Description

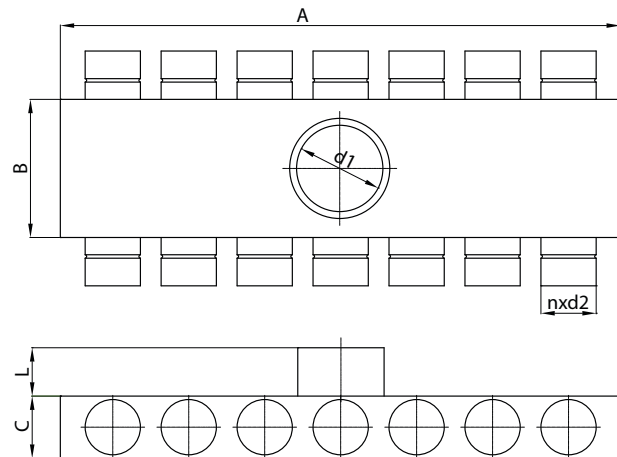
FLX-PRO plenum boxes are connecting pieces for FLX-HDPE and FLX-HDPE-A flexible ducts, which form a distribution system for mechanical installations, including recuperator systems. Due to small size, they do not require a lot of space or special installation. This allows to save more usable interior space. FLX-PRO plenum boxes are made of galvanized steel. On special request, it is possible to make the plenum boxes using stainless steel. It is possible to order insulated FLX-PRI plenum boxes. Plenum boxes are inside insulated with technical insulation with thickness of 9mm. Weldings are made outside the plenum boxes. To preserve the tightness class C it is recommended to use gasket FLX-USZ or FLX-USC.

Note:
Standard diameter d_1 is made as nippel. On special request diameter d_1 can be made as female dimension. For this purpose it must be added "F" at the end to the index.

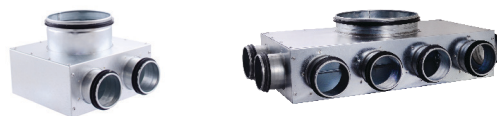
Example
Product code **FLX-PRO - 75 - 7-7**

type _____
diameter _____
connection points _____

Dimensions

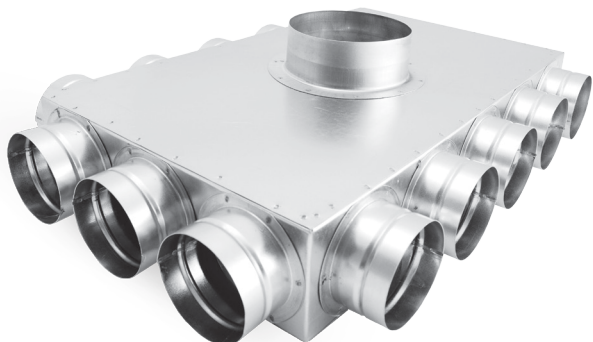


code	A [mm]	B [mm]	C [mm]	L [mm]	d_1 [mm]	n [szt]	d_2 [mm]
FLX-PRO-63-3-3	270	270	75	60	125	6	63
FLX-PRO-75-3-3	300	300	90	60	125	6	75
FLX-PRO-90-3-3	360	360	110	60	160	6	90
FLX-PRO-63-4-4	360	360	75	60	160	8	63
FLX-PRO-75-4-4	400	400	90	60	160	8	75
FLX-PRO-90-4-4	480	480	110	60	200	8	90
FLX-PRO-63-5-5	450	450	75	60	160	10	63
FLX-PRO-75-5-5	500	500	90	60	200	10	75
FLX-PRO-90-5-5	600	600	110	60	200	10	90
FLX-PRO-63-7-7	630	280	75	60	200	14	63
FLX-PRO-75-7-7	700	300	90	60	200	14	75
FLX-PRO-90-7-7	840	360	110	60	200	14	90



Version of plenum box FLX-PLO-.... (ensures tightness class C without additional sealing)
Take-off 63 mm with gasket EPDM matches FLX-HDPE-75 (only system 75)
male connector for Spiral duct- from 125 to 250 -also with gasket EPDM

Plenum boxes FLX-PRO...



Description

FLX-PRO plenum boxes are connecting pieces for FLX-HDPE and FLX-HDPE-A flexible ducts, which form a distribution system for mechanical installations, including recuperatory stems. Due to small size, they do not require a lot of space or special installation. This allows to save more usable interior space. FLX-PRO plenum boxes are made of galvanized steel. On special request, it is possible to make the plenum boxes using stainless steel.

It is possible to order insulated FLX-PRI plenum boxes. Plenum boxes are inside insulated with technical insulation with thickness of 9mm. Weldings are made outside the plenum boxes. To preserve the tightness class C it is recommended to use gasket FLX-USZ or FLX-USC.

Note:

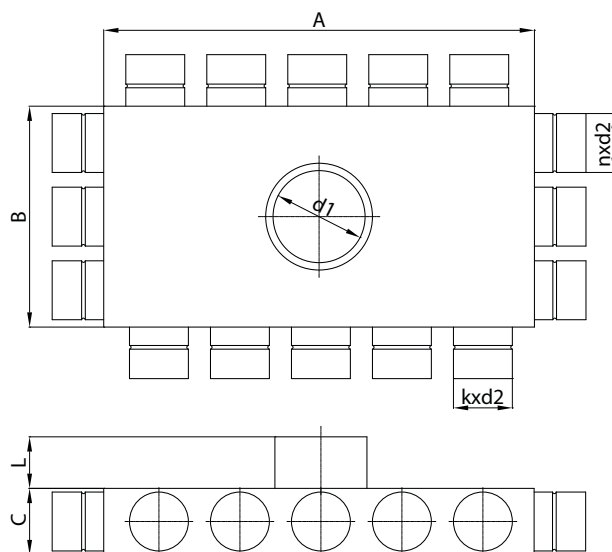
Standard diameter d_1 is made as nippel. On special request diameter d_1 can be made as female dimension. For this purpose it must be added "F" at the end to the index.

Example

Product code **FLX-PRO - 75 - 3-5-3-5**



Dimensions



code	A [mm]	B [mm]	C [mm]	L [mm]	d1 [mm]	n [szt]	k [szt]	d2 [mm]
FLX-PRO-63-3-5-3-5	450	270	75	60	200	6	10	63
FLX-PRO-63-3-6-3-6	540	270	75	60	200	6	12	63
FLX-PRO-75-3-5-3-5	500	300	90	60	200	6	10	75
FLX-PRO-75-3-6-3-6	600	300	90	60	200	6	12	75
FLX-PRO-90-3-5-3-5	600	360	110	60	200	6	10	90
FLX-PRO-90-3-6-3-6	720	360	110	60	200	6	12	90

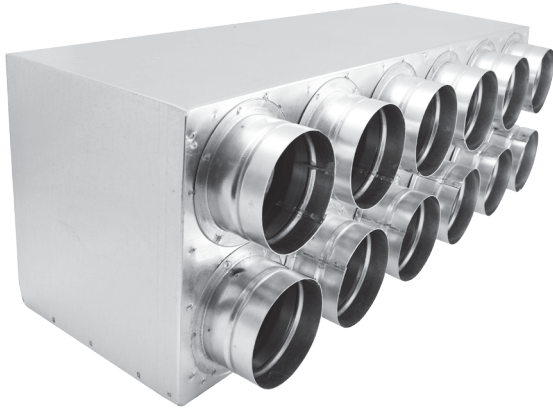


Version of plenum box FLX-PLO-.... (ensures tightness class C without additional sealing)

Take-off 63 mm with gasket EPDM matches FLX-HDPE-75 (only system 75)

male connector for Spiral duct - from 125 to 250 -also with gasket EPDM

Plenum boxes FLX-PRO-P...



Description

FLX-PRO-P plenum boxes are connecting pieces for FLX-HDPE and FLX-HDPE-A flexible ducts, which form a distribution system for mechanical installations, including recuperator systems.

Due to small size, they do not require a lot of space or special installation. This allows to save more usable interior space. FLX-PRO plenum boxes are made of galvanized steel.

On special request, it is possible to make the plenum boxes using stainless steel.

It is possible to order insulated FLX-PRI-P plenum boxes. Plenum boxes are inside insulated with technical insulation with thickness of 9mm. Weldings are made outside the plenum boxes. To preserve the tightness class C it is recommended to use gasket FLX-USZ or FLX-USC.

Note:

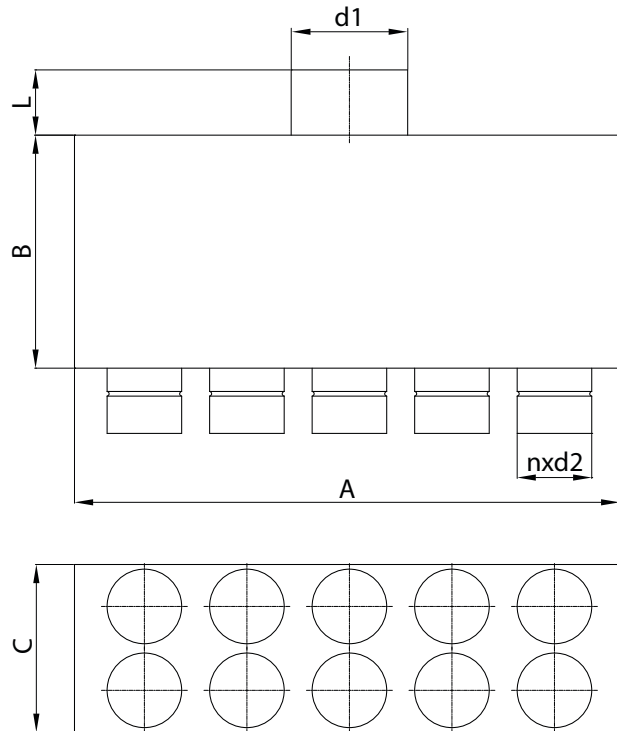
Standard diameter d_1 is made as nippel. On special request diameter d_1 can be made as female dimension. For this purpose it must be added "F" at the end to the index.

Example

Product code **FLX-PRO-P - 75 - 10**

type _____
 diameter _____
 connection points _____
 male _____
 F - female _____

Dimensions



code	A [mm]	B [mm]	C [mm]	L [mm]	d1 [mm]	n [szt.]	d2 [mm]
FLX-PRO-P-63-10	450	160	220	60	200	10	63
FLX-PRO-P-63-12	540	160	220	60	200	12	63
FLX-PRO-P-63-14	630	160	220	60	200	14	63
FLX-PRO-P-75-10	500	180	230	60	200	10	75
FLX-PRO-P-75-12	600	180	230	60	200	12	75
FLX-PRO-P-75-14	700	180	230	60	200	14	75
FLX-PRO-P-90-10	600	200	240	60	200	10	90
FLX-PRO-P-90-12	720	200	240	60	200	12	90
FLX-PRO-P-90-14	840	200	240	60	200	14	90



Version of plenum box FLX-PLO-.... (ensures tightness class C without additional sealing)
 Take-off 63 mm with gasket EPDM matches FLX-HDPE-75 (only system 75)
 male connector for Spiral duct- from 125 to 250 -also with gasket EPDM

Pressed ventilation bends

FLX-BP



Description

Pressed ventilation bends FLX-BP are used for ventilation ducts FLX-HDPE / FLX-HDPE-A. The weld line provides increased tightness of the ventilation system. The connection to the ventilation duct is followed by inserting it into the inside of the bend. Pressed shape of the ventilation element causes less friction and pressure drops. It is recommended to wrap connections with sealing tape TAL, MET, or DUCT in order to increase the tightness class to reach class B.

Materials available – example

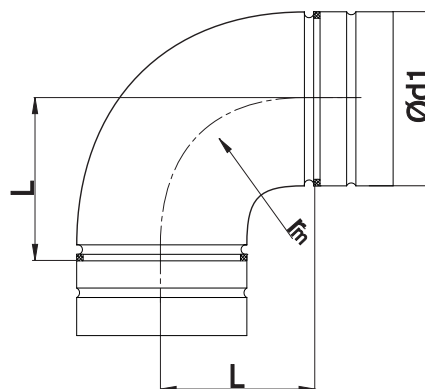
FLX-BP-90-... - galvanized steel sheet

Example

Product code: **FLX-BP - aaa - 90**

type _____
 Ød₁ _____
 ° _____

Dimensions



$$r_m \square 1 \times d_1$$

code	d1 [mm]	L [mm]
FLX-BP-75	75	100
FLX-BP-90	90	100

Pressed collar saddle for spiral ducts

FLX-SP



Description

Pressed collar saddle FLX-SP is used as a from the traditional pipes SPIRO which are the main string ventilation and students are plugging into the ventilation system of wires FLX-HDPE-75 / FLX-HDPE-A-75.

Radius cove at left dangling improve airflow system energy efficiency.

Pressed shape of the ventilation causes less friction and pressure drops.

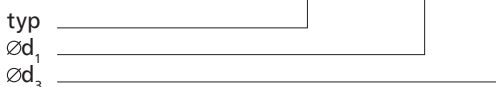
To increase the tightness class B is recommended sealing tape wrapped connection TAL, MET, or DUCT.

Dostępne materiały – przykład oznaczenia

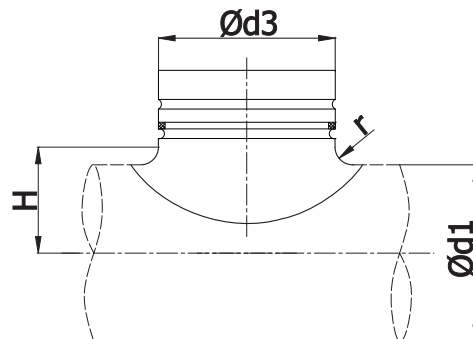
FLX-SP-... -... - blacha ocynkowana

Example

Product code: **FLX-SP - aaa - bbb**



Dimensions



type	Ød ₁ - Ød ₃ nom [mm]	diamerer range Ød _{1,nom} [mm]	r [mm]	H [mm]	weight [kg]
FLX-SP-100-75	100-75	100 - 112	10	60	0,1
FLX-SP-125-75	125-75	112 - 125 - 140	10	72	0,1
FLX-SP-160-75	160-75	150 - 160	10	90	0,1
FLX-SP-200-75	200-75	180 - 200	10	110	0,1
FLX-SP-250-75	250-75	224 - 250 - 280 300 - 315	10	135	0,1

Shutoff dampers FLX-DAS...

[Download Wentyle](#)
[Download AlnorCAM](#)
[Buy via B2B](#)



Description

FLX-DAS damper may be used wherever a tight seal is not required.

Its main function is to adjust the air flow. Damper adjustment angle range is 90°. FLX-DAS dampers are made of galvanized steel.

On special request, it is possible to make the plenum boxes using stainless steel.

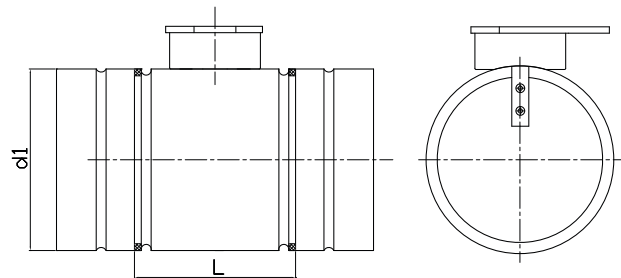
To preserve the tightness class C it is recommended to use gasket FLX-USZ or FLX-USC..

Example

Product code: **FLX-DAS - 75**

type _____
diameter _____

Dimensions



code	d1 [mm]	L [mm]
FLX-DAS-75	75	110
FLX-DAS-90	90	110

Tight shutoff dampers **FLX-DAT...**



Description

FLX-DAT damper may be used wherever a tight seal is required. Its main function is to shut off the air flow. Damper adjustment angle range is 90°.

FLX-DAS dampers are made of galvanized steel.

On special request, it is possible to make the plenum boxes using stainless steel.

To preserve the tightness class C it is recommended to use gasket FLX-USZ or FLX-USC.

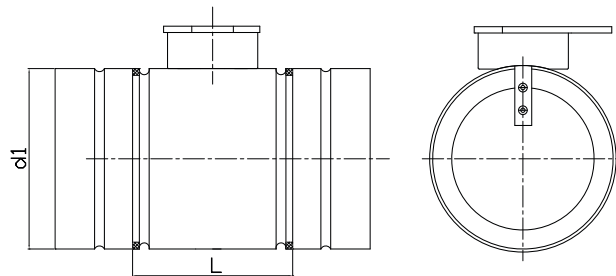
Example

Kod produktu: **FLX - DAT - 75**

type

diameter

Dimensions



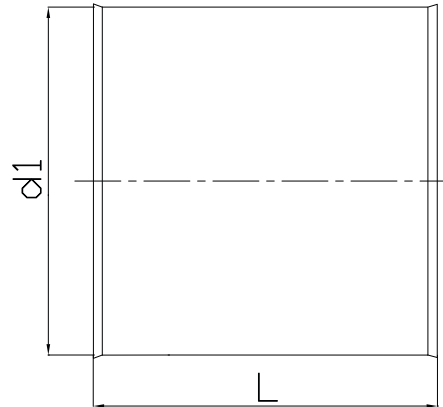
code	d1 [mm]	L [mm]
FLX-DAT-75	75	110
FLX-DAT-90	90	110

Sleeve couplings **FLX-MSF...**

[Download Wentyle](#)
[Download AlnorCAM](#)
[Buy via B2B](#)



Dimensions



Description

FLX-MSF sleeve coupling is used to connect FLX-HDPE or FLX-HDPE-A ducts.

To preserve the tightness class C it is recommended to use gasket FLX-USZ or FLX-USC.

Example

Product code: **FLX-MSF - 75**

type _____
diameter _____

code	d1 [mm]	L [mm]
FLX-MSF-63	63	100
FLX-MSF-75	75	100
FLX-MSF-90	90	100

Gaskets

FLX-USZ...



Description

Gaskets are used for elements of the FLX-REKU cable connections FLX-HDPE to other system components such plenum boxes, female coupling, take-offs, dampers.

FLX-USZ-75 / FLX-USZ-90 - made of EPDM rubber is used for sealing the two ducts and female coupling - provides tightness class C acc. BS EN 12237.

FLX-USP-75 / FLX-USP-90 - made of foam and nozzle is mounted inside the take-offs of plenum boxes and dampers. It is used to seal the box with duct - provides tightness class B acc. BS EN 12237.

FLX-USC-75 / FLX-USC-90 - made of EPDM rubber and is mounted on the ends of the duct FLX-HDPE. It is used to seal the duct with plenum box, damper - provides tightness class C acc. BS EN 12237.

FLX-UST-75 / FLX-UST-90 - seal shrink tubing, used to connect and seal two ducts or duct and plenum box.

Example

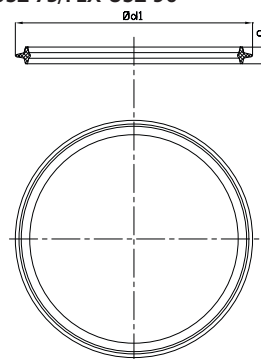
Product code: **FLX-USZ - 75**

type
 diameter

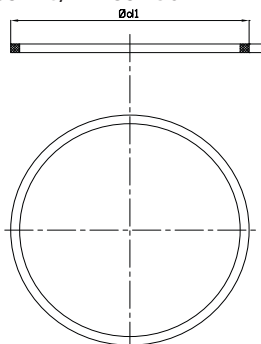
<i>kod</i>	<i>d1</i> [mm]	<i>g</i> [mm]
FLX-USZ-75	78	8
FLX-USP-75	75	6
FLX-USC-75	77	3
FLX-UST-75	75	100
FLX-USZ-90	93	8
FLX-USP-90	90	6
FLX-USC-90	92	3
FLX-UST-90	90	100

Dimensions

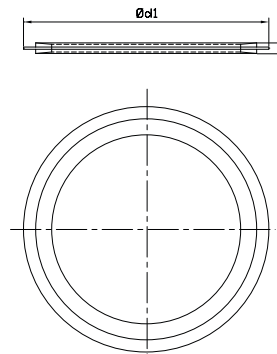
FLX-USZ-63/FLX-USZ-75/FLX-USZ-90



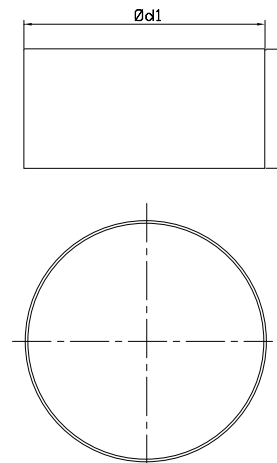
FLX-USP-63/FLX-USP-75/FLX-USP-90



FLX-USC-63/FLX-USC-75/FLX-USC-90



FLX-UST-63/FLX-UST-75/FLX-UST-90

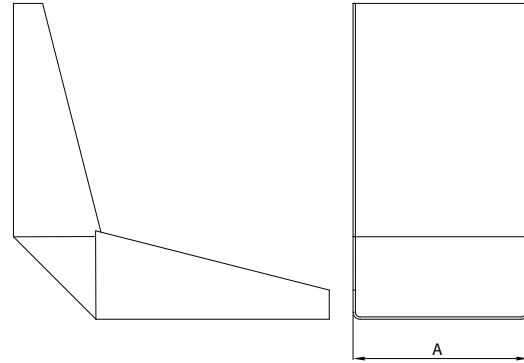


Fastening bases

FLX-FAX...



Dimensions



Description

FLX-FAX fastening bases enable easy installation of ducts at the 90° angle. At the same time, they support the ducts and keep them in place, e.g. when the floor is filled with concrete. The FLX-FAX base is made of galvanized steel. On special request, it is possible to make the fastening base using stainless steel.

Example

Product code **FLX-FAX - 75 - 2**

type
diameter
connections



code	A [mm]
FLX-FAX-63	68
FLX-FAX-63-2	131
FLX-FAX-75	80
FLX-FAX-75-2	155
FLX-FAX-90	95
FLX-FAX-90-2	190

Hole plugs

FLX-CS-PVC/FLX-CF-PVC



Description

CS-PVC hole plug are dedicated stops for FLX-HDPE and FLX-HDPE-A ducts.

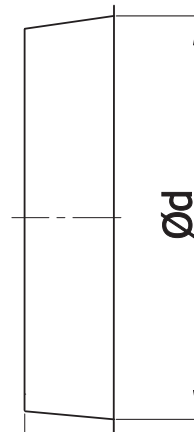
FLX-CS plugs are made of PVC plastic.

Example

Product code: **CS-PVC - 75**

type _____
 diameter _____

Dimensions



code	d_1 [mm]	d_2 [mm]	L [mm]	aplication
FLX-CS-PVC-63	51	49	20	mounted inside the ducts: FLX-HDPE-63, FLX-HDPE-A-63
FLX-CF-PVC-63	66	63	20	mounted inside the take-offs of plenum boxes FLX-...-63
FLX-CS-PVC-75	63	59	20	mounted inside the ducts: LX-HDPE-75, FLX-HDPE-A-75
FLX-CF-PVC-75	78	78	20	mounted inside the take-offs of plenum boxes FLX-...-75
FLX-CS-PVC-90	76	74	20	mounted inside the ducts: FLX-HDPE-90, FLX-HDPE-A-90
FLX-CF-PVC-90	95	91	20	mounted inside the take-offs of plenum boxes FLX-...-90

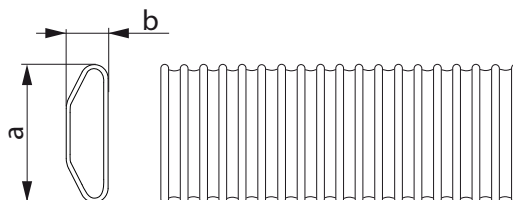
Flexible ducts

FLX-HDPE

[Download Wentyle](#)
[Download AlnorCAM](#)
[Buy via B2B](#)



Dimensions

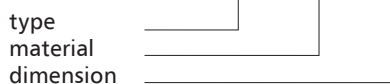


Description

FLX-HDPE-132-52 oval ventilation ducts are dedicated for single-family houses. FLX-HDPE-132-52 is made of HDPE (hardened polyethylene), resistant to bending and flexible in possible installation arrangements. 20-meter sections allow to minimize the number of connectors, thus improving tightness of installation. This duct type is excellent for providing air distribution in single-family homes, under floor and in insulation. Together with plenum boxes and fittings, it makes for an excellent system for recuperator connections.

Example

Product code: **FLX - HDPE - 132-52**



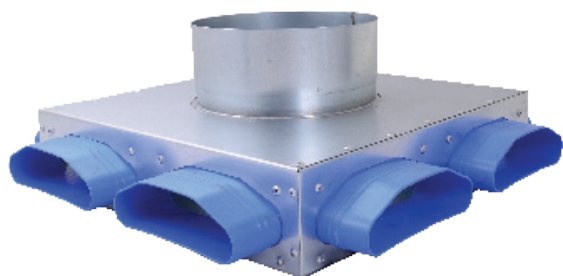
code	anom [mm]	b [mm]	bending radius [m]	weight [kg/rm]
FLX-HDPE-132-52	132	52		

Technical data

Pressure drop table for FLX-HDPE-132-52 ducts:

duct length	2,0 [m/s]	2,5 [m/s]	3,0 [m/s]
L [m]	30 [m³/h]	30 [m³/h]	30 [m³/h]
2	2,4	3,6	5,0
4	4,8	7,2	10,0
6	7,2	10,8	15,0
8	9,6	14,4	20,0
10	12,0	18,0	25,0
12	14,4	21,6	30,0
14	16,8	25,2	35,0
16	19,2	28,8	40,0
18	21,6	32,4	45,0

Plenum boxes FLX-PRV



Description

The FLX-PRV box is installed into concrete screed for oval ventilation ducts.

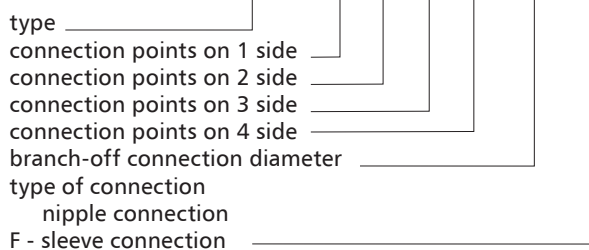
FLX-PRV box is fitted with 4 oval branch-off connections, two on each opposite side. The box is fitted with branch-off connections on different sides so that it can provide air to a larger number of anemostats. Both plenum boxes are used to supply and carry away air from an interior. Flush mounted in the ceiling or under a layer of insulation, they are excellent for single-family houses and ventilation systems with heat recovery.

Warning:

The d_1 connection is provided in threaded nipple connection dimensions. On request, it is possible to provide the d_1 connection diameter adapted to sleeve connection dimensions. To do so, add "F" to the product identification.

Przykład oznaczenia

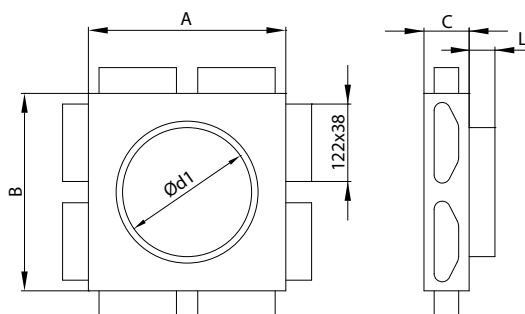
Product code **FLX-PRV - 2 - 2 - 2 - 2 - 160 - F**



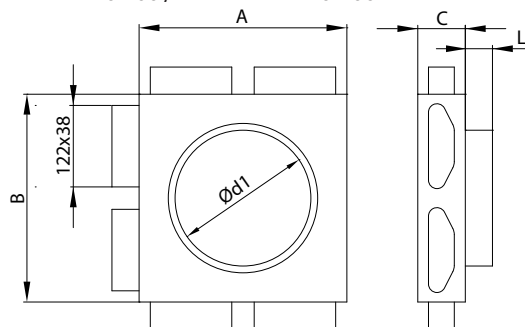
code	A [mm]	B [mm]	C [mm]	L [mm]	d_1 [mm]	n [pcs.]
FLX-PRV-2-2-2-2-160	300	300	70	40	160	8
FLX-PRV-2-2-2-2-200	300	300	70	40	200	8
FLX-PRV-2-2-2-0-160	300	300	70	40	160	6
FLX-PRV-2-2-2-0-200	300	300	70	40	200	6
FLX-PRV-2-2-2-0	300	300	70	40	-	6
FLX-PRV-2-2-2-0	300	300	70	40	-	6
FLX-PRV-0-2-2-0-160	300	300	70	40	160	4
FLX-PRV-0-2-2-0-200	300	300	70	40	200	4
FLX-PRV-2-0-2-0-160	300	200	70	40	160	4
FLX-PRV-2-0-2-0-200	300	200	70	40	200	4

Dimensions

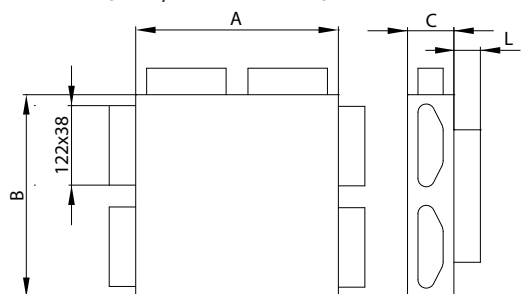
FLX-PRV-2-2-2-2-160 / FLX-PRV-2-2-2-2-200



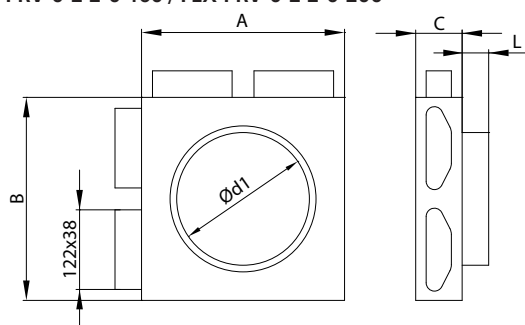
FLX-PRV-2-2-2-0-160 / FLX-PRV-2-2-2-0-200



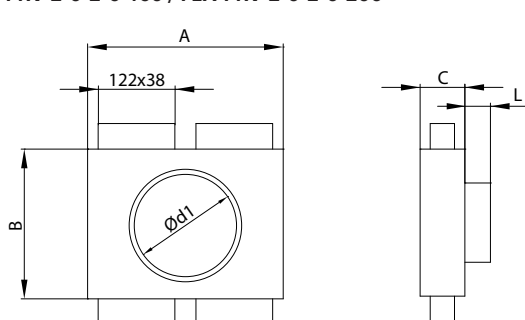
FLX-PRV-2-2-2-0-??? / FLX-PRV-2-2-2-0



FLX-PRV-0-2-2-0-160 / FLX-PRV-0-2-2-0-200

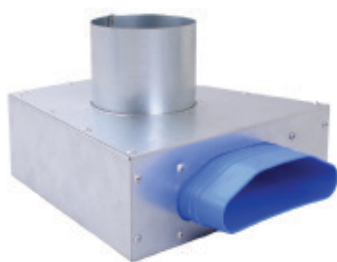


FLX-PRV-2-0-2-0-160 / FLX-PRV-2-0-2-0-200



Plenum boxes

FLX-PRV-...-1-F / FLX-PRV-...-2-F



Opis

FLX-PRV-...-1-F / FLX-PRV-...-2-F plenum boxes are dedicated for intake and exhaust valves.

The box is made of zinc plated metal sheet with plastic oval connections dedicated for FLX-HDPE-132-52 connections. Available with 1 or 2 oval connections with branch-off, diameter 80, 100 or 125 mm. Due to low height, the plenum boxes can be mounted under concrete screeds to save space.

Warning:

The d_1 connection is provided in threaded nipple connection dimensions. On request, it is possible to provide the d_1 connection diameter adapted to sleeve connection dimensions. To do so, add "F" to the product identification.

Przykład oznaczenia

Product code **FLX-PRV - 100 - 1 - F**

type

branch-off connection diameter

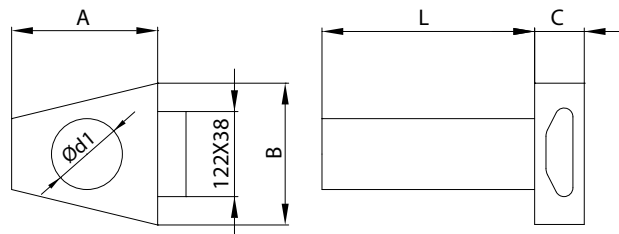
connection points

nipple connection

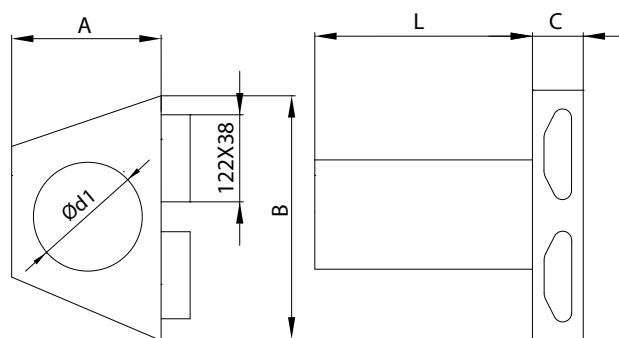
F - sleeve connection

Dimensions

FLX-PRV-1-...-F



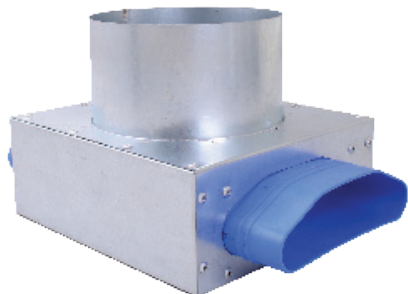
FLX-PRV-2-...-F



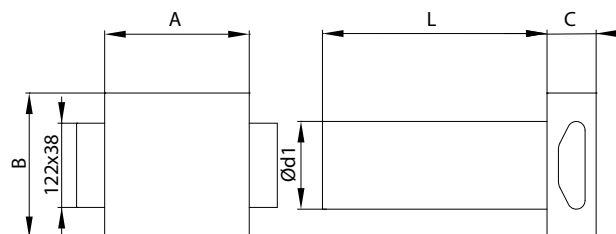
code	A [mm]	B [mm]	C [mm]	L [mm]	d_1 [mm]	n [szt.]
FLX-PRV-080-1	200	200	70	320	80	1
FLX-PRV-100-1	200	200	70	320	100	1
FLX-PRV-125-1	200	200	70	320	125	1
FLX-PRV-080-2	300	300	70	320	80	2
FLX-PRV-100-2	300	300	70	320	100	2
FLX-PRV-125-2	300	300	70	320	125	2

Plenum boxes

FLX-PRV-1-1



Dimensions



Description

FLX-PRV-??? / FLX-PRV-??? plenum boxes are dedicated for intake and exhaust valves.

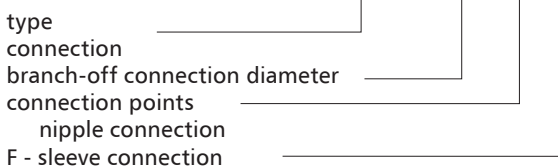
The box is made of zinc plated metal sheet with plastic oval connections dedicated for FLX-HDPE-132-52 connections. Available with 1 or 2 oval connections with branch-off, diameter 125. Due to low height, the plenum boxes can be mounted under concrete screeds to save space.

Warning:

The d_1 connection is provided in threaded nipple connection dimensions. On request, it is possible to provide the d_1 connection diameter adapted to sleeve connection dimensions. To do so, add "F" to the product identification.

Example

Product code **FLX-PRV - 125 - 1 - F**



code	A [mm]	B [mm]	C [mm]	L [mm]	d1 [mm]
FLX-PRV-125-1-1	180	160	70	320	125
FLX-PRV-160-1-1	200	200	70	320	160

Couplings/Asymmetric reducer

FLX-VNS / FLX-VODS

! Dc



Description

FLX-VNS nipple connector for flexible ventilation ducts. Plastic connectors feature nipple type connection to the duct to connect longer sections of the home ventilation to heat recovery.

Asymmetric reducer FLX-VODS for flexible air ducts. The FLX-VODS asymmetric reducer, apart from connecting ducts also vertically reverses the cross-section. It is used whenever we need to connect the plenum box to an intake ventilator with branch-off installed on top, and not on the bottom, towards the ducts, or if we want to reverse the duct for any reason.

Example

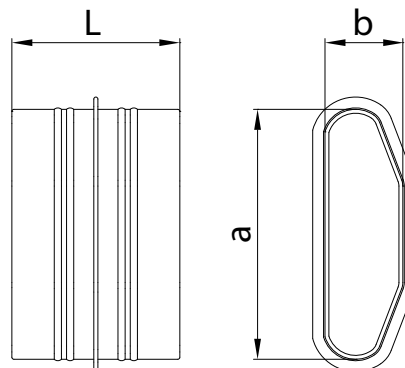
Product code **FLX-VNS**

type

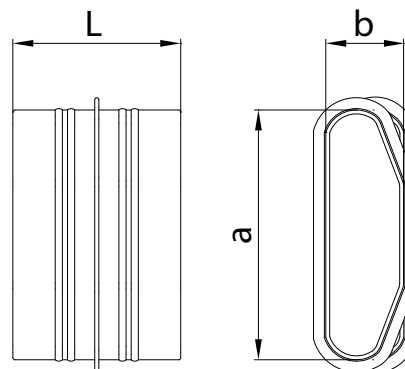


Dimensions

FLX-VNS



FLX-VODS



code	a [mm]	b [mm]	L [mm]
FLX-VNS	122	38	80
FLX-VODS	122	38	80

Elbows

FLX-VBH/FLX-VBW



Description

FLX-VBH/FLX-VBW oval, plastic elbows use nipple connection with HPDE oval ducts, diameter 132-52 mm. FLX-VBH horizontal elbow features a 90 degree angle and allows to build complex installations with bends which might have been impossible when using only flexible ducts. FLX-VBW version allows to make a quick upwards turn with the installed ducts – it is necessary, e.g. when installing pipes on the floor and afterwards along the wall.

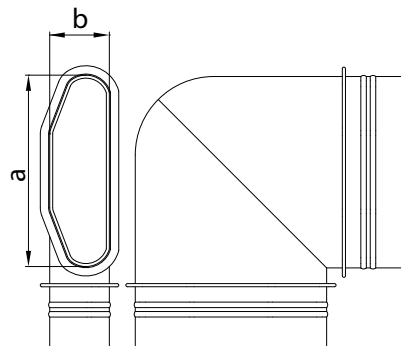
Example

Product code **FLX-VBH**

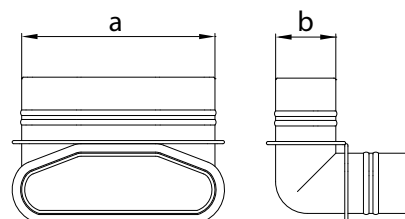
typ

Dimensions

FLX-VBH



FLX-VBW



code	a [mm]	b [mm]
FLX-VBH	122	38
FLX-VBW	122	38