

HEAT RECOVERY SINGLE-ROOM VENTILATION UNIT

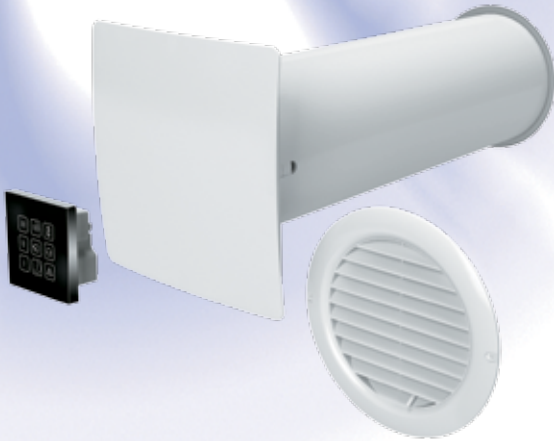
NEW

VENTO ECO A50 S1 Pro

Air capacity – up to 50 m³/h

Heat Recovery Efficiency – up to 97 %

Filtration PM2.5 – up to 99 %



Use

- ❑ Arrangement of efficient energy-saving supply and exhaust single-room ventilation in flats, houses, cottages, social and commercial premises.
- ❑ Air purification with optional F8 filter PM2.5 99 %.
- ❑ Protection from outdoor noise.
- ❑ Reducing heat losses caused by ventilation due to heat recovery.
- ❑ Humidity balance and regulated air exchange create individually controlled microclimate.

Design

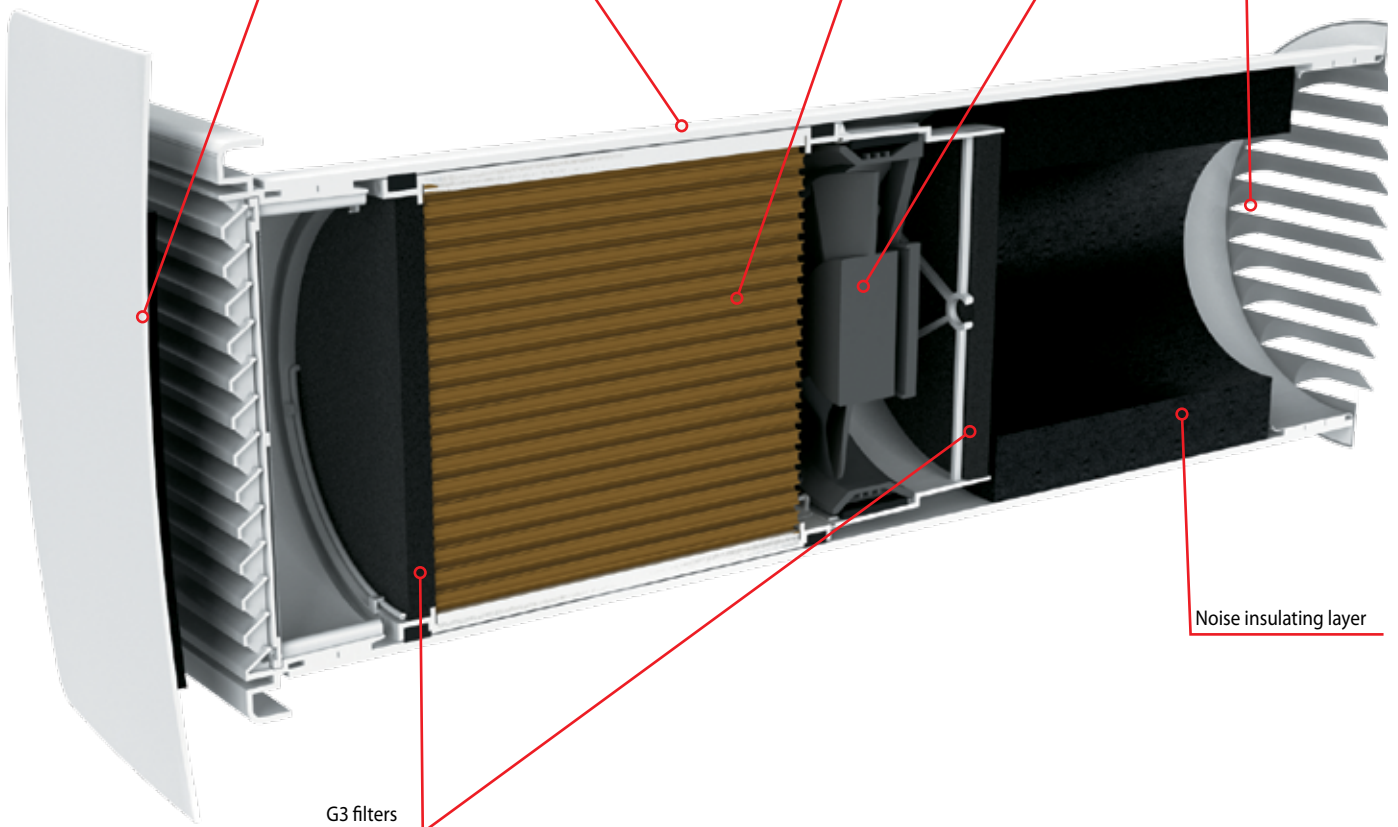
Internal grille with manually actuated shutters and a decorative panel

Air duct

Ceramic energy accumulator (regenerator)

Reversible fan with EC motor

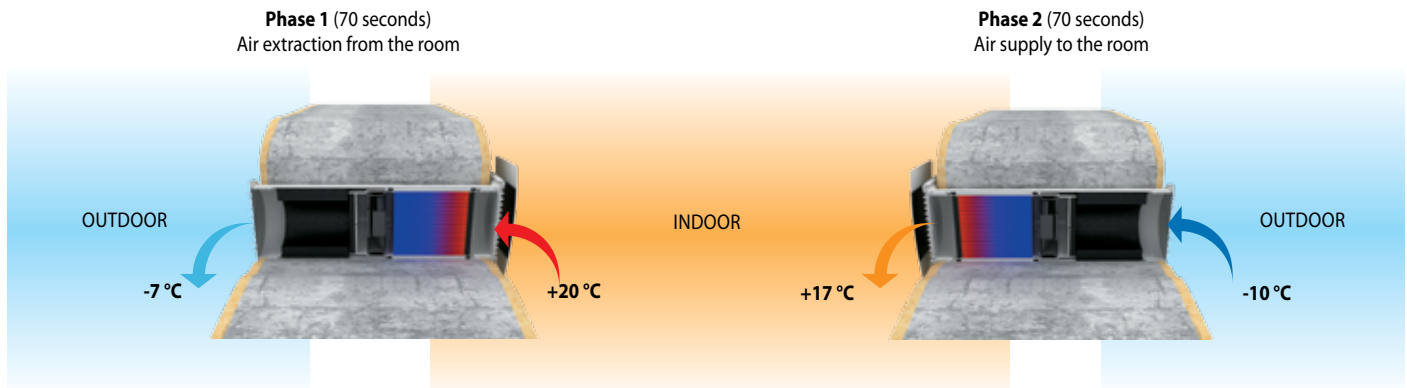
Outer grille



G3 filters

Noise insulating layer

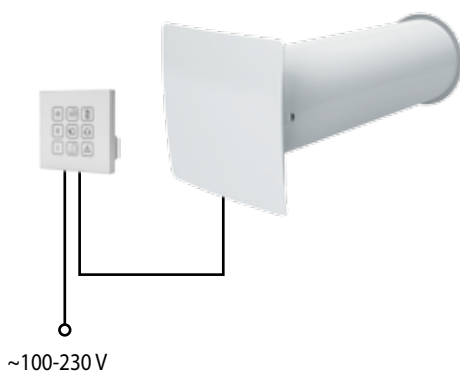
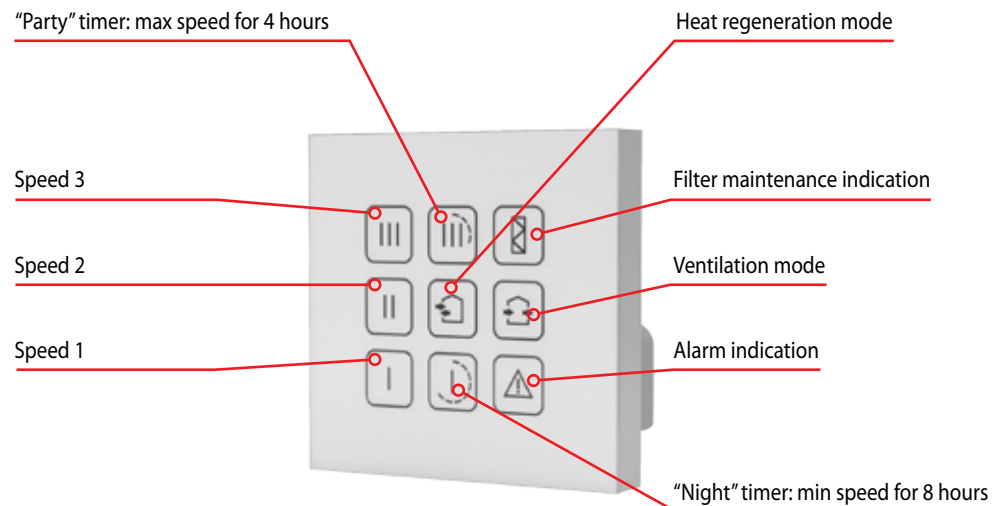
Unit operating logic in winter period



- Warm stale air is extracted from the premise, flows through the ceramic regenerator and transfers its heat energy and moisture to it.
- Clean cold intake air flows through the regenerator and absorbs accumulated heat and humidity.
- As the ceramic regenerator gets warmed up, the unit switches to the supply mode.
- When the ceramic regenerator is cooled down, the unit switches to the extract air mode.

Control

- Control of the unit operation mode is performed by means of the sensor control panel.

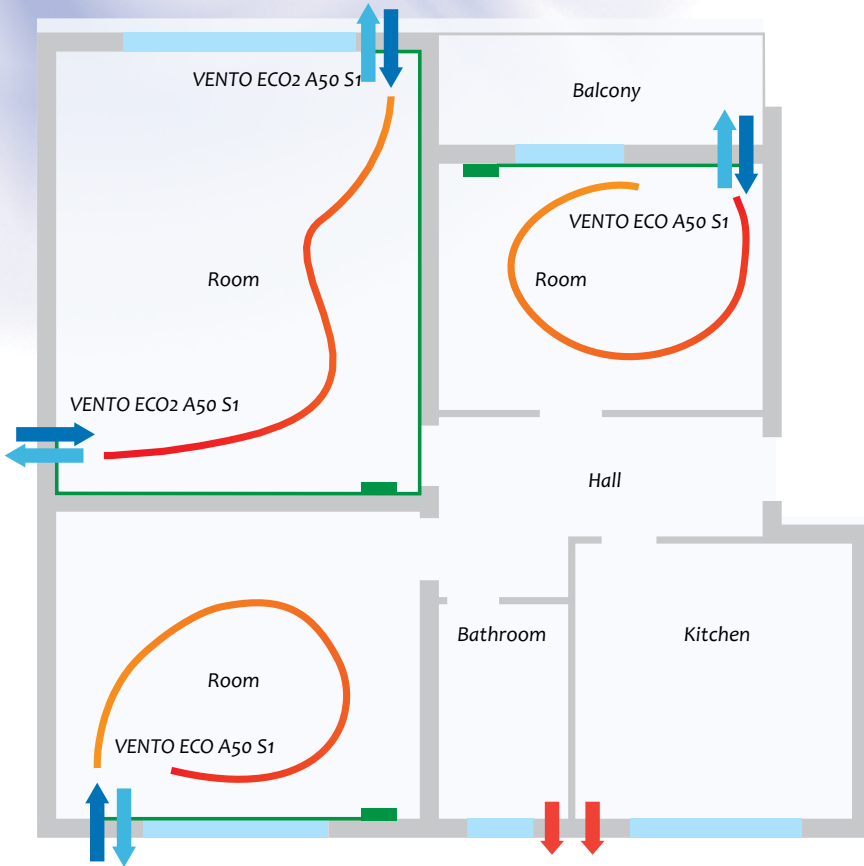


One control panel with sensor buttons can control up to two units.
 Low voltage (12 V) power supply between control panel and VENTO Eco units.

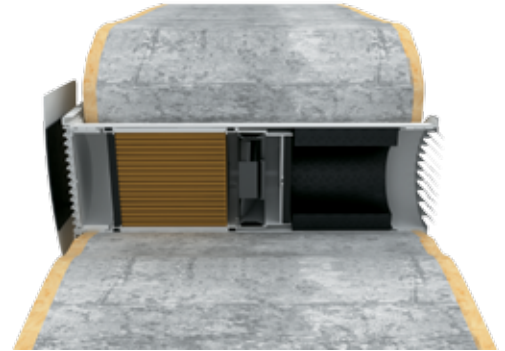
HEAT RECOVERY SINGLE-ROOM VENTILATION UNIT

■ Mounting

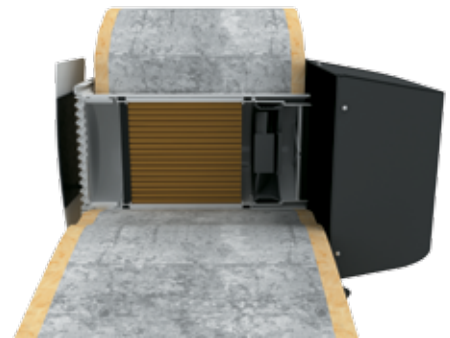
- The unit is designed for through-the-wall installation inside a prepared hole in an outer wall of the building.
- One unit is able to ventilate a room up to 25 m². For bigger rooms two or more units must be installed.



VENTO ECO A50 S1 Pro



VENTO ECO A50 S Pro

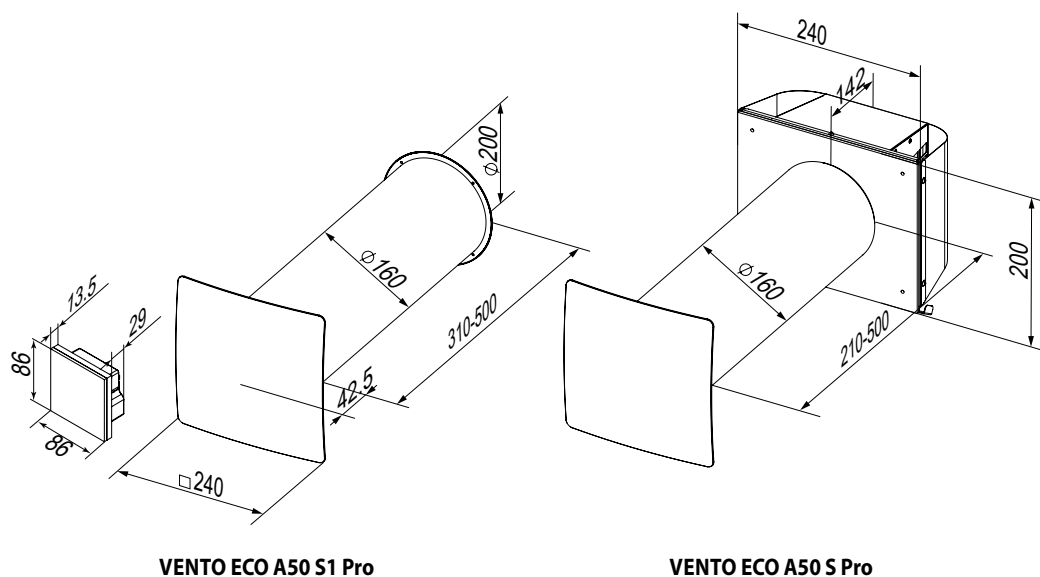


■ Technical data

| Parameter | Vento ECO A50 S1 Pro | | |
|--|----------------------|------|------|
| | 1 | 2 | 3 |
| Speed | 1 | 2 | 3 |
| Voltage / 50-60 Hz [V] | 100-230 | | |
| Power [W] | 0.89 | 2.32 | 5.39 |
| Air capacity ventilation mode [m ³ /h] | 15 | 30 | 50 |
| Air capacity in heat regeneration mode [m ³ /h] | 7,5 | 15 | 25 |
| Filter | G3 (F8)* | | |
| Transported air temperature [°C] | -30...+50 | | |
| Noise level @ 1 m [dB(A)] In accordance with ISO 3741: 2004 | 22 | 29 | 32 |
| Noise level @ 3 m [dB(A)] In accordance with ISO 3741: 2004 | 13 | 20 | 23 |
| Outdoor sound pressure attenuation [dB(A)] according to DIN EN 20140 | 41 | | |
| Regeneration efficiency [%] In accordance with DIBt LÜ-A 20, | 92 | 86 | 78 |
| SEC class | A | | |
| Ingress Protection Rating | IP24 | | |

*FP Vento Eco A50 F8 optional filter. Filtration rate PM2.5 99 %. Air flow 33 m³/h.

Overall dimensions, mm



Accessories

| Accessory name | Description |
|------------------------------|---|
| Completion Kit VENTO Eco A50 | Cartridge with heat regenerator, fan and G3 filters. Square and round indoor grille with manually actuated shutters |
| SE VENTO Eco A50 Pro | Sensor control panel (white) |
| SE VENTO Eco A50 Pro black | Sensor control panel (black) |
| Duct 160-500 | 500 mm air duct |
| Duct 160-700 | 700 mm air duct |
| AH chrome 160 | Outer hood made of brushed stainless steel |
| AH-S chrome 160 | Outer hood for thin wall made of brushed stainless steel |
| Decor 150Fs An white | Outer grille |
| KIT BlauPlast white 160 | Kit for angular mounting with white outer grille |
| KIT BlauPlast chrome 160 | Kit for angular mounting with stainless stees outer grille |
| FP VENTO Eco A50 G3 | G3 filters (2 pcs.) |
| FP VENTO Eco A50 F8 | G2 + F8 filters (1 pc.). Filtration rate PM2.5 99 %. Combination of G2 + F8 filters reduces air flow down to 30 m ³ /h |
| L VENTO Eco A50 | Fan |
| PP 160/0.5 | Plastic outer grille with 0.5 m pipe for mounting from indoor |
| PP 160/0.7 | Plastic outer grille with 0.7 m pipe for mounting from indoor |